

Clarke®

BOOST™ 28



Operator's Manual Manuel d'utilisation Libro de Instrucciones

U.S. Patent No. 6,105,192; No. 6,557,207; No. 6,760,947; No. 5,383,251; & Patents Pending



READ THIS BOOK

LEA ESTE MANUAL

LISEZ CE MANUEL

EN

English (2 - 27)

ES

Español (28 - 53)

FR

Français (54 - 79)

This book has important information for the use and safe operation of this machine. Failure to read this book prior to operating or attempting any service or maintenance procedure to your Clarke machine could result in injury to you or to other personnel; damage to the machine or to other property could occur as well. You must have training in the operation of this machine before using it. If your operator(s) cannot read this manual, have it explained fully before attempting to operate this machine.




All directions given in this book are as seen from the operator's position at the rear of the machine.










For new books write to: Clarke®, 2100 Highway 265, Springdale, Arkansas 72764.











Table of Contents

Operator Safety Instructions	3
Introduction & Machine Specifications	5
Procedures for Transporting Machine	6
Symbols Used on Boost 28	8
Machine Control Panel	9
Machine Controls and Features	10
How to Prepare the Machine for Operation	11
How to Install the Batteries	11
Battery Maintenance	12
How to Charge the Batteries (Remote Charger)	13
How to Charge the Batteries (On-Board Charger)	14
How to Install the Brush or Pad	15
How to Remove the Brush or Pad	15
How to Operate the Machine	16
How to Operate the Squeegee	16
Filling the Solution Tank	16
Operating the Machine	17
How to Clean a Floor	18
Maintenance	19
Procedures Before Work is Began	19
Procedures to Perform at the End of Work	20
Procedures to Perform Every Week	21
Maintenance for the Squeegee	22
How to Adjust the Squeegee	22
How to Center or Off set Brushhead	23
Accessories	24
How to Correct Problems in the Machine	25
SECTION II - Parts and Service Manual	
Final Assembly Drawing	80
Parts List	81
Recovery Tank Drawing	82
Parts List	83
Solution Tank Assembly Drawing	84
Parts List	85
Rear Panel Assembly Drawing (Remote Charger)	86
Parts List	87
Rear Panel Assembly Drawing (On-Board Charger)	88
Parts List	89
Control Panel Assembly Drawing	90
Parts List	91
Squeegee Lift Assembly Drawing	92
Parts List	93
Squeegee Assembly Drawing	94
Parts List	95
Frame Axle Assembly Drawing	96
Parts List	97
Brush Head Assembly Drawing	98
Parts List	99
Optional Brake Assembly Drawing and Parts List	100
Vacuum Motor Drawing and Parts List	101
Transaxle Repair Parts	102
Battery Charger Drawing and Parts List	103
Connection Diagram	104
Electrical Schematic	105

OPERATOR SAFETY INSTRUCTIONS

-  **DANGER:** Failure to read and observe all **DANGER** statements could result in severe bodily injury or death. Read and observe all **DANGER** statements found in your Owner's Manual and on your machine.
-  **WARNING:** Failure to read and observe all **WARNING** statements could result in injury to you or to other personnel; property damage could occur as well. Read and observe all **WARNING** statements found in your Owner's Manual and on your machine.
-  **CAUTION:** Failure to read and observe all **CAUTION** statements could result in damage to the machine or to other property. Read and observe all **CAUTION** statements found in our Owner's Manual and on your machine.

-  **DANGER:** Failure to read the Owner's Manual prior to operating or attempting any service or maintenance procedure to your Clarke machine could result in injury to you or to other personnel; damage to the machine or to other property could occur as well. You must have training in the operation of this machine before using it. If you or your operator(s) cannot read this manual, have it explained fully before attempting to operate this machine.
-  **DANGER:** Operating a machine that is not completely or fully assembled could result in injury or property damage. Do not operate this machine unless it is completely assembled. Inspect the machine carefully before operation.
-  **DANGER:** Machines can cause an explosion when operated near flammable materials and vapors. Do not use this machine with or near fuels, grain dust, solvents, thinners, or other flammable materials. This machine is not suitable for picking up hazardous dust. Use only commercially available floor cleaning waxes intended for machine operation.
-  **DANGER:** Lead acid batteries generate gases which can cause an explosion. Keep sparks and flames away from batteries. Do not smoke around the machine. Charge the batteries only in an area with good ventilation. Make sure that the AC charger plug is unplugged from the wall receptacle before connecting or disconnecting the DC plug to or from the battery pack.
-  **DANGER:** Working with batteries can be dangerous! Always wear eye protection and protective clothing when working near batteries. Remove all jewelry. Do not put tools or other metal objects across the battery terminals, or the tops of the batteries.
-  **DANGER:** Using a charger with a damaged power cord could result in an electrocution. Do not use the charger if the power cord is damaged.
-  **WARNING:** Operating this machine from anywhere other than the back of the machine could result in injury or damage. Operate this machine only from the rear.
-  **WARNING:** This machine is heavy. Get assistance before attempting to transport or move it. Use two able persons to move the machine on a ramp or incline. Always move slowly. Do not turn the machine on a ramp. Do not use on surfaces having a gradient exceeding that marked on the appliance. Read the "Procedures For Transporting" in this manual before transporting as machine might topple over if not secured.
-  **WARNING:** Machines can topple over and cause injury or damage if guided over the edges of stairs or loading docks. Stop and leave this machine only on a level surface. When you stop the machine, put all switches into their "OFF" position. Turn the key switch "OFF" and remove the key.

-  **WARNING:** Maintenance and repairs performed by unauthorized personnel could result in damage or injury. Maintenance and repairs must be performed by authorized Clarke personnel only.
-  **WARNING:** Any alterations or modifications of this machine could result in damage to the machine or injury to the operator or other bystanders. Alterations or modifications not authorized by the manufacturer voids any and all warranties and liabilities.
-  **WARNING:** Electrical components of this machine can "short-out" if exposed to water or moisture. Keep the electrical components of the machine dry. Wipe the machine down after each use. This appliance is for dry use only and is not to be used or stored outdoors in wet conditions.
-  **WARNING:** Operating a machine without observing all labels and instructional information could result in injury or damage. Read all machine labels before attempting to operate. Make sure all of the labels and instructional information are attached or fastened to the machine. Get replacement labels and decals from your Clarke distributor.
-  **WARNING:** Wet floor surfaces can be slippery. Water solutions or cleaning materials used with this type of machine can leave wet areas on the floor surface. These areas can cause a dangerous condition for the operator or other persons. Always put "Caution" signs around/near the area you are cleaning.
-  **WARNING:** Improper discharge of waste water may damage the environment and be illegal. The United States Environmental Protection Agency has established certain regulations regarding discharge of waste water. City, state and national regulations regarding this discharge may also be in effect in your area. Understand and follow the regulations in your area. Be aware of the environment hazards of chemicals that you dispose.
-  **WARNING:** Only use the brushes provided with the appliance or those specified in the Operator's Manual. The use of other brushes may impair safety.
-  **CAUTION:** Use of this machine to move other objects or to climb on could result in injury or damage. Do not use this machine as a step or furniture. Do not ride on this machine.
-  **CAUTION:** Your machine warranty will be voided if anything other than genuine Clarke parts are used on your machine. Always use Clarke parts for replacement.
-  **CAUTION:** This machine contains lead acid batteries. The batteries must be disposed of in an environmentally acceptable manner.

Introduction & Machine Specifications

Introduction & Machine Specifications

Clarke's newly designed BOOST 28 automatic scrubber is an efficient and superior floor cleaning machine. The BOOST 28 uses an orbital movement to scrub a path 28 inches wide. A squeegee wipes the floor while the vacuum motor removes the dirty solution from the floor - all in one pass.

The BOOST 28 comes complete with four - 6 volt batteries, one battery charger, a brush or a pad, and one operator's manual.

SPECIFICATIONS:

Model	BOOST 28
Machine Power Supply	24 Volt D.C., (4) 6V 250 AH Deep Cycle Batteries or (4) 6V 330 AH Deep Cycle Batteries
Pad or Brush	1 per Machine
Traverse	0.5 hp (0.4 kW) Transaxle
Traverse Forward Speed	Variable to 250 ft./min (76 m/min)
Traverse Reverse Speed	Variable to 190 ft./min. (58 m/min)
Battery Protection	Low Voltage
Motor Vacuum	3/4 HP, 3 stage, Acoustical High Efficient Tangential
Solution Tank	20 Gallons (76 liters)
Solution Level	Calibrated level indicator on rear of machine
Recovery Tank	20 Gallons (76 liters)
Recovery Full Indicator	Electric Shut-Off
Parabolic Squeegee	Swing type with breakaway feature, No tool operation feature 39 inches (99 cm) hard width with 41 inches (104 cm) flex blade width.
Squeegee Operation	Reverse direction on floor and 3 - position manual lever style operation
Cleaning Swath	28 inches (71 cm)
Motor, Brush	3/4 hp (0.56 KW)
Brush / Pad Size	14" x 28" (35.6 cm x 71 cm)
Brush Speed	2250RPM
Brush Pressure	100 lbs. (45.4 kg)
Drive Wheels	(2) 8 in. x 2 in. (20 cm x 5 cm) Neoprene tread
Caster	Dual 4 in. x 2 in. (10 cm x 5 cm)
Charger	24 V D.C., 25 Amp, 115/60, on-board optional
Grade Cleaning	5 Degree (6%)
Length	56.25 inches (143 cm)
Width	28.75 inches (73 cm)
Height	43 inches (109 cm)
Weight w/batteries (250 AH)	586 lbs. (266 kg)
Line of Sight (from Operator Height): 68 inches (173 cm)	7.5 feet (2.3 m)
Noise	71 dBA
Vibration	< 2.5 m/s ²

Procedures For Transporting

How to Put the Machine Into a Van or Truck

⚠ WARNING: This machine is heavy. Get assistance before attempting to transport or move it. Use two able persons to move the machine on a ramp or incline. Always move slowly. Do not turn the machine on a ramp. Do not stop and leave the machine on a ramp or incline. The loading ramp must be a minimum of 32" wide.

⚠ WARNING: Machines can topple over if guided over the edges of stairs or loading docks and cause injury or damage. Stop and leave this machine only on a level surface. When you stop the machine, put all switches into their "OFF" position.

1. Make sure the loading ramp is at least eight (8) feet (2.5m) long and a minimum of 32" (0.8m) wide, and strong enough to support the machine.
2. Make sure the ramp is clean and dry.
3. Put the ramp in position.
4. Remove squeegee assembly before loading. Clarke recommends that both the solution tank and recovery tank are empty before loading.
5. Turn key switch "ON" .
6. Align the machine on a level surface five (5) feet (2 m) in front of the ramp.
7. Put the traverse knob at full speed.
8. Push in either one of the forward/reverse switches while pushing in the white reverse switch. Back the machine up the ramp. See figure 1.
9. Turn the key switch "OFF".



Figure #1

Procedures For Transpoting (cont.)

10. **Fasten the machine to the vehicle.** Clarke recommends a strap over the top of the machine and a strap to keep the machine from rolling forward or backwards. If this is not done, there is a possibility of the machine toppling over. Four tie down points (2 along each side of frame) are provided on machine for securing machine.

How to Remove the Machine From a Van or Truck

1. Make sure there are no obstructions in the area.
2. Make sure the unloading ramp is at least eight (8) feet (2.5m) long and a minimum of 32" (0.8m) wide, and strong enough to support the machine.
3. Make sure the ramp is clean and dry.
4. Put the ramp in position.
5. Unfasten the machine.

⚠ WARNING: The machine is heavy. Make sure you use two able persons to assist in moving the machine down the ramp.

6. Turn the key switch "ON".
7. Set the traverse center knob to the slowest forward speed setting. Carefully and slowly, drive the machine to the top of the ramp and start down.
8. While pushing in the right or left forward/reverse switch the machine will go forward. See figure 2.
9. As the machine begins to travel down the ramp, push in the forward/reverse switch to maintain a slow downward speed.
10. Replace squeegee assembly after machine is unloaded and ready to use.

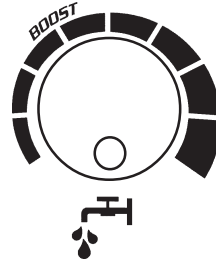


Figure #2

SYMBOLS USED ON BOOST 28



Warning



Solution Control



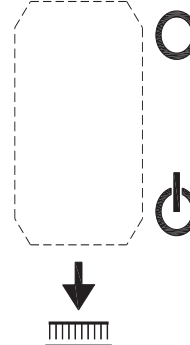
Power



Brush Up/Down



Traverse Speed Control



Warning Label with parking brake



Warning Label without parking brake

Machine Control Panel

Key Switch (See Figure 3, Item "A")

The key switch turns "ON" the power to the control panel. "O" is "OFF" and "I" is "ON".

Forward Reverse Switch (See Figure 3, Item "B")

The forward/reverse switch turns the traverse motor "on" forward and if the brush motors are in the down position, activates the brush motor/solution control module. There is a two second delay for the pad motor to stop after releasing the switch. Either the right or the left switch can be used. Use either switch in conjunction with the white reverse switch to reverse the traverse motor.

Battery Meter (See Figure 3, Item "C")

The battery meter indicates the relative charge on the battery pack. Do not continue to run the machine when the needle is in the "red" area. This will shorten the life of the battery pack.

Reverse Switch (See Figure 3, Item "D")

The reverse switch, when used in conjunction with one of the forward/reverse switches, causes the machine to reverse directions. The reverse speed is 70% of the forward speed.

Vacuum Motor Switch (See Figures 4 & 5, pg. 10)

To activate vacuum motor, lower squeegee handle. Handle has two positions. Lowest position is operating position and the middle position is transport to clear vacuum hose.

Circuit Breakers (See Fig 3, Items "E", "F", "G", & "H")

The circuit breaker reset buttons are located on the rear cover. The breakers are located as follows:

- Item E - Actuator Head (5 amp)
- Item F - Vacuum Motor (30 amp)
- Item G - Brush Motor (30 amp)
- Item H - Traverse Motor (25 amp)

If a circuit breaker trips, determine which motor is not operating and turn the key switch "OFF". Wait five minutes and push the reset button back in. Turn the key switch "ON" and try again. An authorized service person should be contacted if the breaker trips again.

Control Handles (See Figure 3, Item "I")

The control handles are located at the rear of the machine. They are used to guide the machine.

Solution Control Knob (See Figure 3, Item "J")

The solution control knob regulates the flow of chemical solution to the floor. To increase the flow, turn knob clockwise. To decrease the flow, turn counter clockwise. Full counter clockwise is OFF and full clockwise is ON. Clarke recommends starting with the knob set in the green section to provide the best general cleaning with optimal water usage.

Traverse Speed Knob (See Figure 3, Item "K")

To increase speed, turn knob clockwise.

Brush Motor Switch (See Figure 3, Item "L")

To activate brush motor, push brush position switch to down position. Brush Motor and solution flow will activate when the traverse buttons are pushed. To shut brush motor off, place brush position switch in up position.

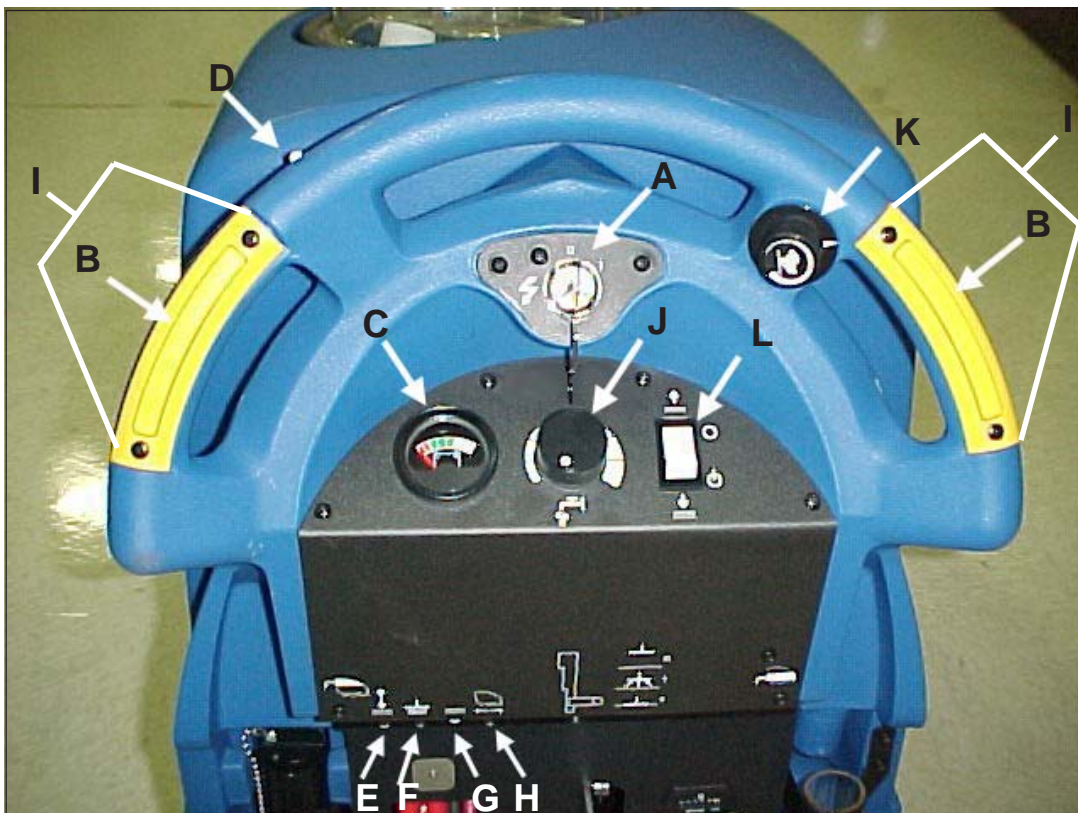


Figure 3

Machine Controls and Features

Squeegee Lift Handle, See Figures 4 and 5

The squeegee lift handle is located below the control handles in the center. It is used to raise or lower the squeegee. The vac motor is turned on when the handle is lowered to either the first or last position.

Float Shut Off, See Figure 6

The shut-off switch for the vac motor is located in the recovery tank. It automatically turns off the vac motor when the recovery tank is full. **NOTE: If excessive foaming occurs in recovery tank, defoamer must be added. Damage to vacuum motor could result from foam.**

Parking Brake (Optional), See Figure 7

NOTE: Parking Brake must be used if operating machine on greater than 2% gradient.
The parking brake prevents movement of the machine.

⚠ CAUTION: Do not activate the parking brake while the machine is moving.

The brake is located on the right hand side of the machine on the transaxle motor. Turn the key switch off or disconnect the power to the battery to apply the brake.

There is a mechanical lever located on the brake. This lever is an override. To manually release the brake, rotate the lever clockwise. To return the brake to normal or to apply the brake, rotate the lever up counter clockwise.

NOTE: If the lever is left in the override position, the brake will not function with the key switch, and the machine will not operate.



Figure 4



Figure 5

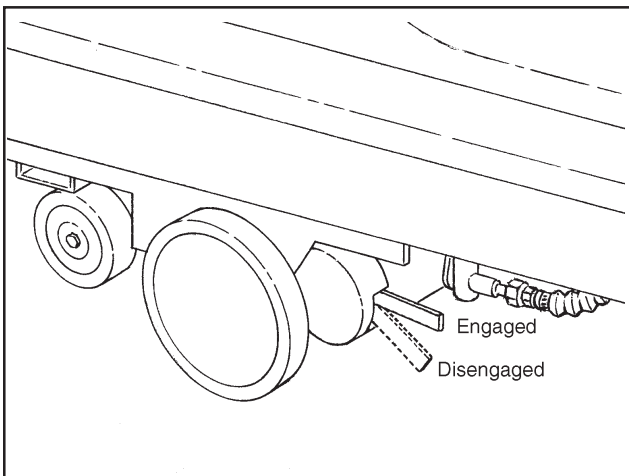


Figure 7



Figure 6

How To Prepare the Machine For Operation

How To Install The Batteries

This machine uses either two 12-volt batteries or four - 6 volt batteries. The batteries are located in the battery compartment under the recovery tank.

To install the batteries, follow this procedure:

1. Turn machine off. Set brake (if equipped).
2. Make sure recovery tank is empty.
3. Tip up the recovery tank until it locks in the full open position. See figure 8A.

CAUTION: Before raising the tank, be sure tank is empty.

NOTE: There is an intermediate position available for holding the recovery tank open for charging batteries. See figure 8B.

WARNING: Do not operate or perform maintenance on the machine while the recovery tank is in the intermediate position. The tank can be accidentally bumped and it may slam shut.

4. Place the batteries in the tray as shown in figure 8C.

WARNING: The batteries are heavy. Lifting batteries without help could result in an injury. Get help to lift the batteries.

WARNING: Working with batteries can be dangerous. Always wear eye protection and protective clothing when working near batteries. **NO SMOKING!**

5. Connect the cables between batteries and install long battery cable assembly as indicated. See figure 9.
6. Join the connector from the battery pack to the connector on the control panel.
7. Close recovery tank by pulling up on the latch arm and then slowly lowering the tank.

NOTE: Charge the batteries before using the machine.



Figure 8A



Figure 8B

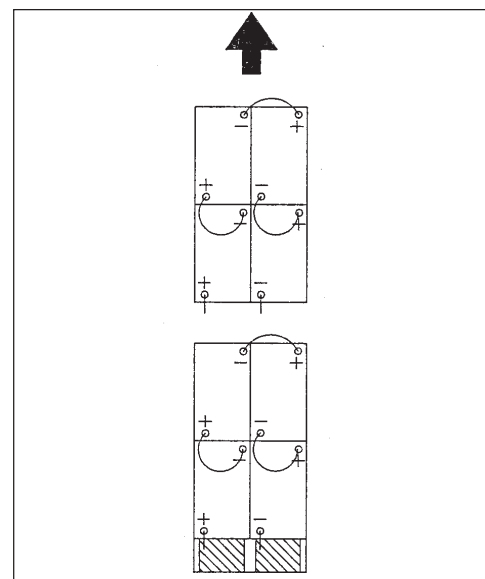


Figure 9

How To Prepare the Machine For Operation

Battery Maintenance

The electrical power to operate the machine comes from the storage batteries. Storage batteries need preventative maintenance.

⚠ WARNING: Working with batteries can be dangerous. Always wear eye protection and protective clothing when working near batteries. **NO SMOKING!**

To maintain the batteries in good condition, follow these instructions:

1. Keep the electrolyte at the correct level. The correct level is between 1/4" (1/2 cm) below the bottom of the tube in each cell and above the tops of the plates. Check the level of the electrolyte each time you charge the batteries. See figure 10.

NOTE: Check the level of electrolyte prior to charging the batteries. Be sure the plates in each cell are covered with electrolyte before charging. Do not top off the cells prior to charging the battery. Electrolyte expands during charging. As a result, the electrolyte could overflow from the cells. Always top off the cells with distilled water after charging.

⚠ CAUTION: Irreversible damage will occur to the batteries if electrolyte does not cover the plates. Keep the electrolyte at the correct level.

⚠ CAUTION: Machine damage and discharge across the tops of the batteries can occur if the batteries are over filled. Do not fill the batteries up to the bottom of the tube in each cell. Wipe any acid from the machine or the tops of the batteries. Never add acid to a battery after installation.

⚠ CAUTION: Batteries must be refilled with distilled water only. Do not use tap water as it may contain contaminants that will damage batteries.

2. Keep the tops of the batteries clean and dry. Keep the terminals and connectors clean. To clean the top of the batteries, use a damp cloth with a weak solution of ammonia or bicarbonate of soda solution. To clean the terminals and connectors, use a terminal and connector cleaning tool. Do not allow ammonia or bicarbonate of soda to get into batteries.

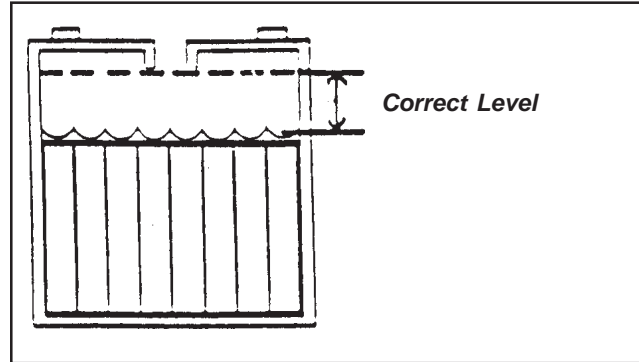


Figure 10

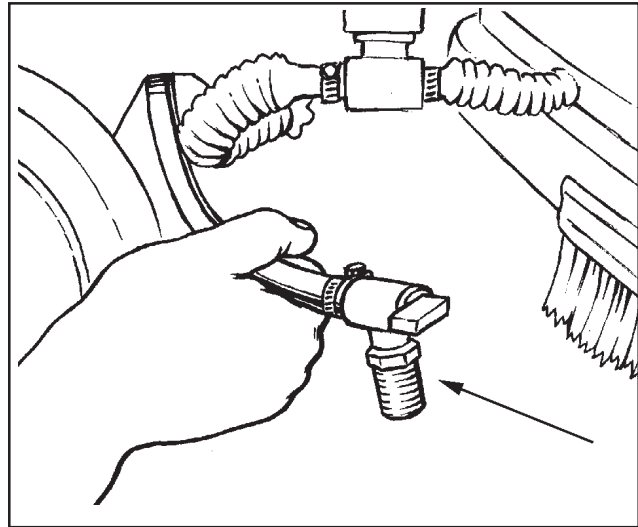


Figure 11

3. Keep the batteries charged.
4. To drain battery compartment: (See figure 11)
 - a. Always wear protective eye protection and protective clothing.
 - b. Add a weak solution of ammonia or bicarbonate of soda solution to battery compartment to neutralize any spilled acid.
 - c. Pull drain hose out from under transaxle.
 - d. Place hand behind flange and open valve.
 - e. When empty, close valve.
 - f. Replace valve and drain hose on top of transaxle.
 - g. Neutralize any acid spills with ammonia or bicarbonate of soda.

How To Prepare the Machine For Operation

How To Charge The Batteries (Remote Charger)

⚠ WARNING: Charging the batteries in an area without adequate ventilation could result in an explosion. To prevent an explosion, charge the batteries only in an area with good ventilation.

⚠ WARNING: Lead acid batteries generate gases which could explode. Keep sparks and flames away from batteries. **NO SMOKING!**

To charge the batteries, follow this procedure:

1. Place the key switch is in the "OFF" position.
2. Before charging the batteries, the battery compartment needs to be vented. To vent compartment, tip up the recovery tank until it locks in the open position (see figure 12A & 12B). To close the tank, pull up on the arm and then slowly lower the tank to the closed position.

⚠ CAUTION: Before raising tank, be sure tank is empty.

⚠ WARNING: Do not operate or perform maintenance on the machine while the recovery tank is in the open position. The tank can be accidentally bumped and it may slam shut.

3. Put the charger on a flat surface. Make sure the vents on the sides are at least two inches away from walls and other objects. Make sure there are no objects near the vents on the bottom of the charger.
4. Disconnect the battery pack connector from the batteries.
5. Connect the DC connector on the charger to the battery pack connector. See figure 13.
6. Connect the battery charger AC cord to a 15 amp (min) 120V properly grounded wall receptacle.

NOTE: Make sure you plug into a circuit that is not loaded by other equipment. Wall breakers may be tripped and no charge will occur.

⚠ WARNING: Never charge a GEL battery with an unsuitable battery charger. Carefully follow the instructions given by the manufacturer of the batteries and battery charger.

NOTE: To prevent permanent damage to the batteries, avoid their complete discharge. Never leave the batteries completely discharged, even if the machine is not being used. When recharging the batteries, keep the recovery tank open. After every 20 recharging cycles, check the level of the electrolyte and if necessary top off with distilled water.



Figure 12A



Figure 12B

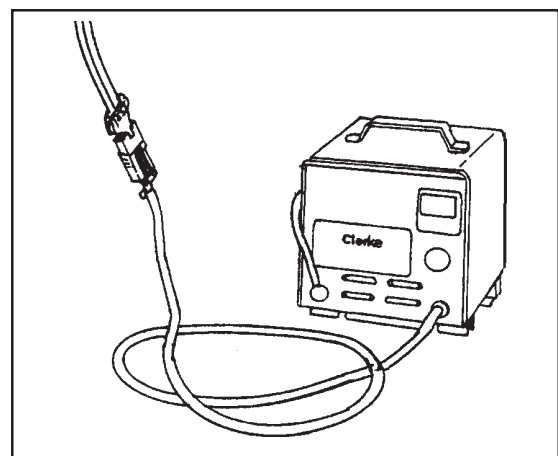


Figure 13

How To Prepare the Machine For Operation

How To Charge The Batteries (On-Board Charger Option)

⚠ WARNING: Charging the batteries in an area without adequate ventilation could result in an explosion. To prevent an explosion, charge the batteries only in an area with good ventilation.

⚠ WARNING: Lead acid batteries generate gases which could explode. Keep sparks and flames away from batteries. **NO SMOKING!**

To charge the batteries, follow this procedure:

1. Make sure the key switch is in the "OFF" position.
2. Before charging the batteries, the battery compartment needs to be vented. To vent compartment, tip up the recovery tank until it locks in the open position (see figure 14A & 14B). To close the tank, pull up on the arm and then slowly lower the tank to the closed position.

⚠ CAUTION: Before raising tank, be sure tank is empty.

⚠ WARNING: Do not operate or perform maintenance on the machine while the recovery tank is in the open position. The tank can be accidentally bumped and it may slam shut.

3. Connect the battery charger AC cord located at the rear of the machine to a 15 amp (min) 120V properly grounded wall receptacle.
4. Observe indicator light on the charger to ensure the charging process has started. Yellow light indicates state of charge. Steady on green light indicates the batteries are fully charged.

NOTE: Make sure you plug into a circuit that is not loaded by other equipment. Wall breakers may be tripped and no charge will occur.

⚠ WARNING: Never charge a GEL battery with an unsuitable battery charger. Carefully follow the instructions given by the manufacturer of the batteries and battery charger.

NOTE: To prevent permanent damage to the batteries, avoid their complete discharge. Never leave the batteries completely discharged, even if the machine is not being used. When recharging the batteries, keep the recovery tank open. After every 20 recharging cycles, check the level of the electrolyte and if necessary top off with distilled water.



Figure 14A



Figure 14B

How To Prepare the Machine For Operation

How To Install The Brush Or Pad

To install the brush or pad on the machine, follow this procedure:

1. Turn the key switch "ON".
2. Put the brush switch in the "Up" position.
3. Turn the key switch "OFF".
4. Go to the front of the machine.
5. Press on a brush or pad, under the flex plates. See figure 15.

NOTE: When using a black pad, position pad on head. Lower head and operate momentarily to affix pad to pad driver (if you have difficulty, position pad on floor and lower head then operate.)

How To Remove The Brush Or Pad

To remove the brush or pad from the machine, follow this procedure:

1. Turn the key switch "ON".
2. Put the brush switch in the "Up" position.
3. Turn the key switch "OFF".
4. Go to the front of the machine and pull downward on the brush or pad until it releases from the flex plates. See figure 16.



Figure 15

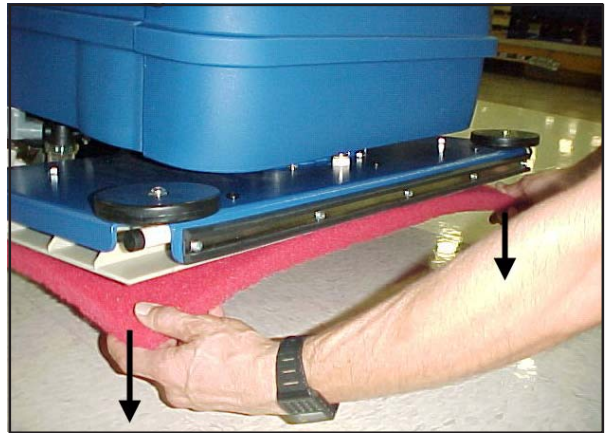


Figure 16

How To Operate The Machine

How To Operate The Squeegee

The squeegee wipes the floor while the vacuum motor removes the dirty solution from the floor. Use your hand to lower or raise the squeegee handle. To operate the squeegee, follow this procedure:

1. To lower the squeegee and start the vacuum motor, move the squeegee lever to the right and down. See figure 17.
2. To raise the squeegee, lift the squeegee lever up. See figure 18.

NOTE: The center position lets the vacuum motor continue to run with the squeegee off the floor to avoid drips and also allows you to back up the machine.

How To Fill The Solution Tank

The solution tank can be filled in the front or through the clear drain hose at the rear of the machine (See figure 19). To fill the solution tank follow this procedure:

1. Add a cleaning chemical to the solution tank. For the correct amount of chemical, follow the directions shown on the container.
2. Fill the solution tank with water. When filling machine in the front with a hose, position hose inside the fill screen as shown in figure 19A.

When filling machine from the rear, position clear drain hose against bracket and insert hose as shown in figure 20. Solution level can be viewed from the back of the machine.



Figure 17



Figure 18



Figure 20

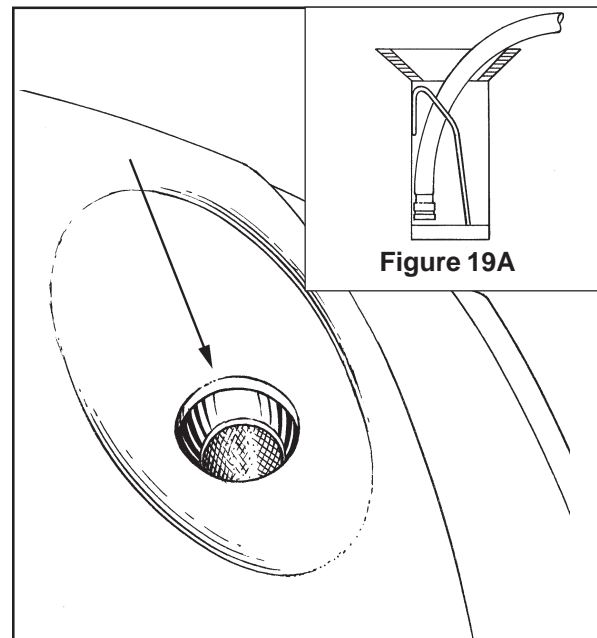


Figure 19A

Figure 19

How To Operate The Machine

⚠ WARNING: Water solutions or cleaning materials used with this type of machine can leave wet areas on the floor surface. These areas can cause a dangerous condition for the operator or other persons. Always put CAUTION signs near the area you are cleaning.

⚠ WARNING: Machines can ignite flammable materials and vapors. Do not use with or near flammables such as gasoline, grain dust, solvents and thinners. Only use a cleaning concentration recommended by the chemical manufacturer.

⚠ WARNING: Clarke recommends a maximum water temperature of 120°F (49°C).

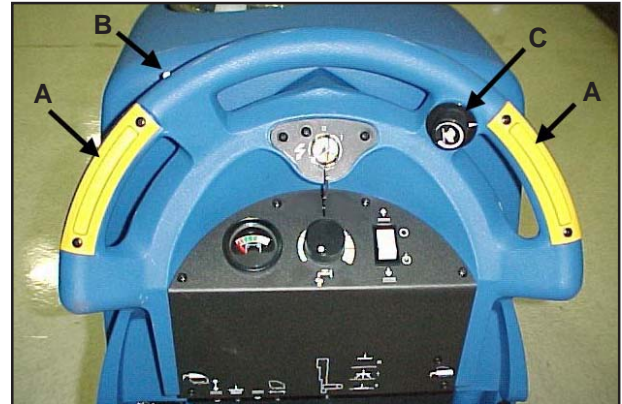


Figure 21

Operating The Machine

NOTE: Put the machine in the lowest traverse speed setting. Use the machine in an area that has no furniture or objects until you can do the following:


1. Move the machine in a straight direction, forward and backward.
2. Stop the machine safely.
3. Turn the machine both left and right and return to a straight direction.

To move the machine, follow this procedure:

1. Release the parking brake (if equipped with machine).
2. Turn the key switch to the "ON" position
3. Raise the brush.
4. Raise the squeegee.
5. When either the left or right forward/reverse switches (figure 21, item A) are pushed in, the machine will go forward.
6. Control the speed of traverse by using the traverse speed control knob (figure 21, Item C).
7. To stop, release the forward/reverse switch.
8. To reverse the machine, push in the white reverse switch (figure 21 item B) and either the right or left forward/reverse switch (figure 21 item A) at the same time.
9. To stop, release the forward/reverse switch.
10. To turn the machine, push the rear of the machine to the side.
11. When you stop the machine, turn the key switch "OFF", remove the key and set the parking brake (if equipped).

How To Operate The Machine (cont)

How To Clean A Floor

 **WARNING:** Water solutions or cleaning materials used with this type of machine can leave wet areas on the floor surfaces. These areas can cause a dangerous condition for the operator or other persons. Always put CAUTION signs near the area you are cleaning.

To clean a floor follow this procedure:

1. Set the parking brake (if equipped with machine.)
2. Put the water and a cleaning chemical in the clean solution tank.
3. Release the parking brake (if equipped with machine.)
4. Turn the key switch "ON".
5. Lower the squeegee.
6. Put the brush switch in the down position.
7. Turn the solution knob to the right to activate the flow of solution. Adjust the flow of clean solution to the flow desired.
8. Move the machine across the floor in the forward direction.
9. Make a 180° turn.

NOTE: When you make more passes across the floor, let the brush clean approximately 2 inches (5 cm) of the area already cleaned by the brush.

NOTE: During most cleaning procedures, apply and remove the solution in one operation.

How To Clean A Very Dirty Floor

To clean a very dirty floor, follow this procedure:

1. Apply solution to the floor.
2. Do not lower the squeegee. This will keep the vacuum motor off.
3. Lower the brush or pad and scrub the floor.
4. Scrub the floor again with additional solution and lower the squeegee.
5. Pick up all the solution with the squeegee.

Maintenance

- ⚠ **WARNING:** Maintenance and repairs must be done by authorized personnel only.
- ⚠ **WARNING:** Always empty the solution tank and recovery tank before doing any maintenance.
- ⚠ **WARNING:** Keep all fasteners tight.

These Maintenance Procedures Must Be Done Every Day

Keep the machine clean, it will need fewer repairs and have longer life.

Do These Procedures When You Begin Your Work Period

1. Turn off key switch.
2. Disconnect AC power from battery charger (follow charger instructions).
3. Disconnect the plug on the battery charger from the battery pack connector, if using a remote charger.
4. Join the connector from the batteries to the control panel cable connection (remote charger only). See figure 22.
5. Make sure the screen filter over the vacuum motor is clean and in position. See figure 23.
6. Make sure the recovery tank lid is on correctly. See figure 24.
7. Make sure the valve on the recovery drain hose is clean. Tightly close the valve.
8. Make sure the brush or pad is in position and installed correctly.
9. Check the installation of the squeegee and squeegee hose.
10. Make sure the solution drain/level indicator hose is secure on the storage mount on the rear of the machine.

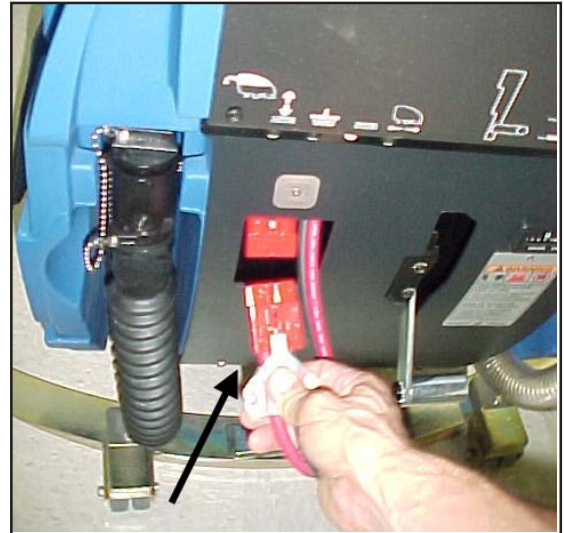


Figure 22



Figure 23



Figure 24

Maintenance

Do These Procedures When You End Your Work

1. Drain the solution tank (Figure 25) and the recovery tank (Figure 26). To drain the tanks, follow this procedure:
 - a. Turn the key switch "OFF".
 - b. Remove the drain hose from the back of the machine.
 - c. Put the end of the hose over a drain or bucket.
 - d. *Recovery Tank:*
 - 1.) Turn the valve handle to the left. Pull the handle out to open the drain (Figure 27).

NOTE: Have the opening in the side of the valve away from you when you open the valve.

- 2.) To open the valve completely, turn the handle to the right. Pull the handle out of valve (Figure 28).

Solution Tank:

When hose is lowered to water level, water will flow.

2. Flush the tanks. To flush the tanks, put clean water in the tank through the opening on top of the tank.
3. If a tank or drain hose has an obstruction, use a pressure water hose to flush the tank or hose. Put the water hose into the drain hose.
4. Leave the tanks and the recovery drain valve open to dry in the air.
5. Check the squeegee blade. Use a cloth to clean the squeegee blade. If the squeegee blade is damaged or worn, turn or replace the blade.
6. Check and clean the solution lid gasket. Use a mild cleaning solution and rinse the parts in clean water.

Check the batteries and if necessary add distilled water after charging. The correct level is within 1/4 inch (1/2 cm) of the bottom of the tube in each cell.

CAUTION: Tap water may contain contaminants that will damage batteries. Batteries must be refilled with **DISTILLED WATER ONLY**.

WARNING: Lead acid batteries generate gases which can cause an explosion. **NO SMOKING**. Always wear eye protection and protective clothing when working near batteries.

Use a clean cloth and wipe the surface of the machine.

Charge the batteries. See the instruction in the section of this book called "How To Charge The Batteries".



Figure 25



Figure 26

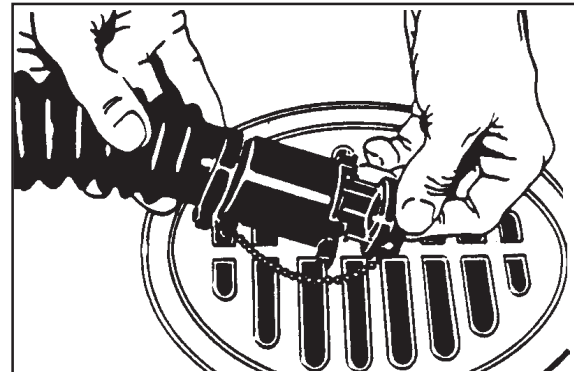


Figure 27

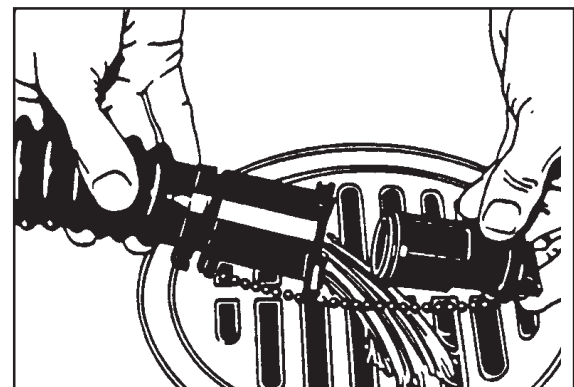


Figure 28

Maintenance

Maintenance Procedures To Be Done Every Week:

⚠ WARNING: Maintenance and repairs must be done by authorized personnel only. Always empty the solution tank and the recovery tank before doing any maintenance. Keep all fasteners tight.

⚠ WARNING: Always wear eye protection and protective clothing when working near batteries. Do not put tools or other metal objects across the battery terminals or the tops of the batteries.

⚠ CAUTION: To prevent damage to the machine, and discharge across the tops of the batteries, do not fill the batteries above the bottom of the tube in each cell. Wipe any acid from the machine or the tops of the batteries. Do not add acid to battery after installation.

NOTE: Always turn off key switch before servicing the machine.

⚠ WARNING: Always wear eye protection and protective clothing when working near batteries. **NO SMOKING!**

1. To inspect batteries, tip up recovery tank until it locks in the full open position. See figure 29A. To close the tank, pull up on the latch arm and then slowly lower the tank to the closed position.

⚠ CAUTION: Before raising the tank, be sure tank is empty.

NOTE: There is an intermediate position available for holding the recovery tank open for charging batteries. See figure 29B.

⚠ WARNING: Do not operate or perform maintenance on the machine while the recovery tank is in the intermediate position. The tank can be accidentally bumped and it may slam shut.

2. Disconnect the batteries. Use a cloth and a solution of ammonia or bicarbonate of soda to wipe the top of the batteries. Clean the battery terminals. Reconnect the batteries.
3. Check the hoses for leaks, obstructions and other damage.
4. Use a grease gun to lubricate the dual casters. See figure 30.



Figure 29A



Figure 29B

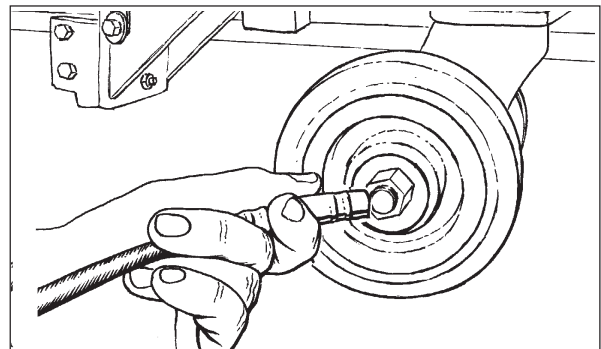


Figure 3

Maintenance

Maintenance For The Squeegee

To remove the squeegee, follow this procedure:

1. Remove the squeegee assembly by loosening the two knobs that attach the squeegee to the machine. Pull the squeegee assembly off. See figure 31.
2. Inspect the squeegee blade.
3. If the blade is worn, turn the blade so that a new edge is in the wiping position.
4. Reinstall squeegee assembly on the machine.

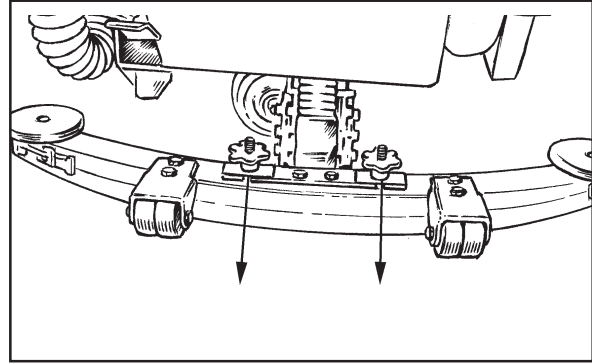


Figure 31

How To Adjust The Squeegee

The following adjustments are set at the factory, however they may require slight adjustment.

Adjusting Squeegee Tilt:

The tilt of the squeegee causes the rear blade to raise up in the center or on the ends, depending on which direction the tilt is changed. For tilt adjustment, refer to figure 32. Loosen left and right screw "X". In order to bring the blades down in the center, tip "Y" down. To bring both ends down, tip "Y" up. Make very small adjustments and try it until a uniform flare is achieved.

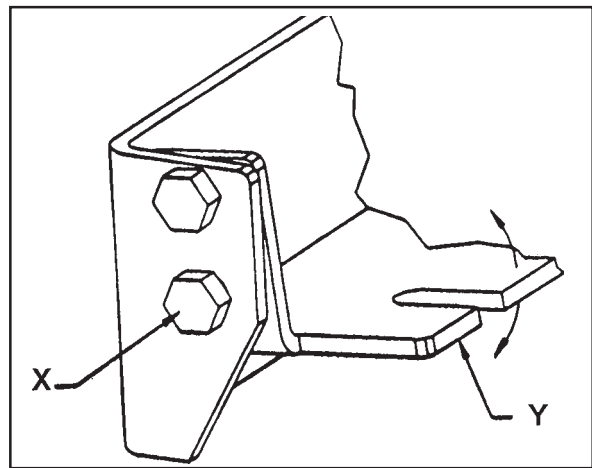


Figure 32

Adjusting Squeegee Blades:

When properly installed the front blade should be approximately 0.06" (1.5mm) above the rear blade. See figure 33.

⚠ WARNING: Maintenance and repairs must be done by authorized personnel only .

⚠ WARNING: Electrical repairs must be done by authorized personnel only.

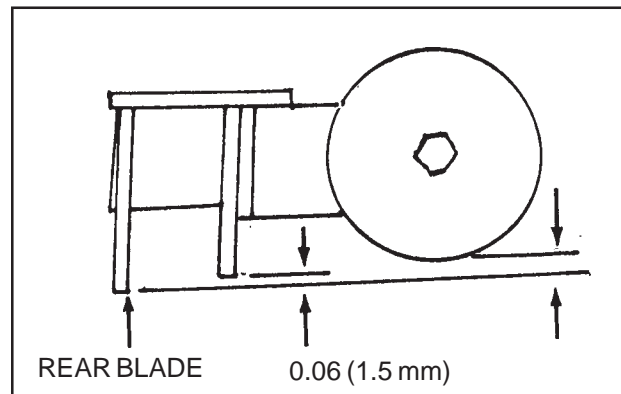


Figure 33

Maintenance cont.

Consult your Clarke Authorized Service Person to do the service procedures.

Use only genuine Clarke parts.

How to Center or Offset the Brush Head

The brush head on this machine can be centered or offset 1 inch to the right side of the machine. To center or offset the brush head, follow this procedure:

Recommended tools: 3/8" drive ratchet, 3" extension and 9/16" socket.

CAUTION: Before offsetting the brush head, be sure that the recovery tank is empty of solution.

1. Turn the key switch "ON".
2. Put the brush switch to the "Up" position.
3. Turn the key switch "OFF" and remove the key.
4. Tip up the recovery tank until it locks in the full open position.
5. Go to the front of the machine and unlatch the front cover and swing cover open.
6. Locate the four mounting studs on the brush head bracket. See figure 34. The top two mounting nuts can be accessed through the top of the solution tank. The lower two can be accessed through the front. Loosen the four mounting nuts 2 to 3 turns counterclockwise. NOTE: Do not remove mounting nuts.
7. The brush head assembly can slide to the right side by one inch or placed back into the center. Slide the brush head assembly all the way to the ends of the slots for the desired position. This insures that the head operates straight up and down.
8. After repositioning the brush head, tighten nuts securely to approximately 236 inch-lbs.
9. Close the front cover.
10. Close the recovery tank.

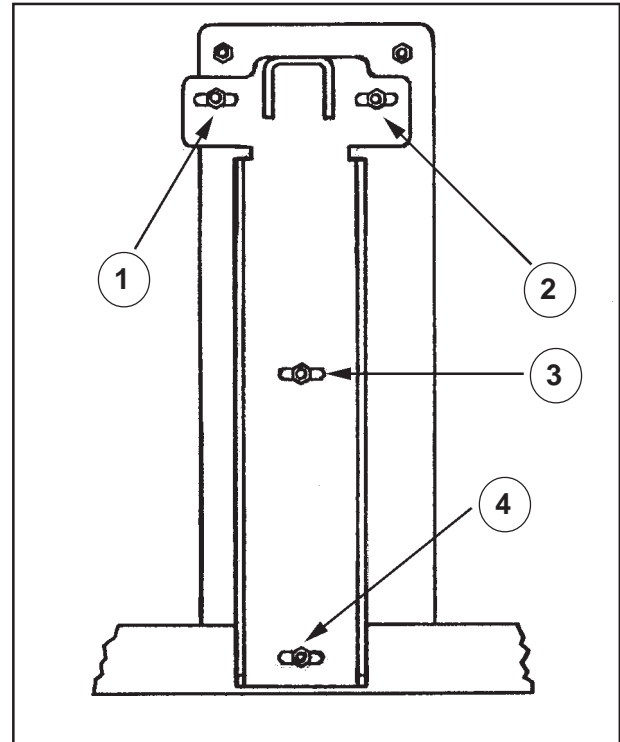


Figure 34

Maintenance Procedures That Must Be Done Every Six Months

Contact a Clarke Authorized Service Center to perform this six month procedure.

1. Check the carbon brushes in the electric motors.
2. Clean the battery terminals and connectors. Make sure all of the battery connections are tightened correctly.
3. Check all of the switches, controls, valves, hoses and gaskets.
4. Check and remove debris from the transaxle hubs.
5. Replace the rubber isolators (see Ref. #23 in Brush Head Assembly Parts List section). The rubber isolators are considered wear items and must be replaced every 6 months.
6. Replace the rubber mounts (see Ref. #56 in Brush Head Assembly Parts List section). The rubber mounts are considered wear items and must be replaced every 6 months.

Accessories

ACCESSORIES

<u>Description</u>	<u>Part No.</u>
Power Wand System Kit	10150A
Clarke Care Kit	14607A
39" Squeegee Assembly	11054K
Poly Dur Protectant	50478A
Kit, Grease Gun	55420A
Kit, Low Voltage Shut-Off	14097A
Brake Kit Assembly	10072A
Accessory Bag	30070A
Hour Meter Kit	10656A
Soft Caster Assembly	51092A
Kit, Solution Fill	10177A
ESP Recycle System	10663A

Brushes and Pads:

<u>Size</u>	<u>Description</u>	<u>Part No.</u>
14 x 28	Red (5 pack)	997001
14 x 28	Black (5 pack)	997000
14 x 28	White (5 pack)	997002
14 x 28	Blue (5 pack)	997006

Squeegee Blades:

<u>Description</u>	<u>39" Assembly</u>
Blade, Rear - Gum Rubber	30069A
Blade, Rear - Nitrile Solid	30082A
Blade, Rear - Ribbed Orange	30086A
Blade, Front - Ribbed Natural	30091A
Blade, Front - Slit Grout	30080A
Blade, Front - Ribbed Orange	30084A

HOW TO CORRECT PROBLEMS IN THE MACHINE

PROBLEM	CAUSE	ACTION
There is no solution flow.	<p>The solution tank is empty.</p> <p>The solution valve is closed.</p> <p>There is an obstruction in the solution hose or filter.</p> <p>The solution valve or electric wiring is damaged.</p> <p>The solution module is defective.</p>	<p>Fill the solution tank.</p> <p>Open the solution valve.</p> <p>Remove the obstruction from the hose or filter.</p> <p>Repair or replace the valve or the electric wiring.</p> <p>Replace solution module</p>
The solution flow does not stop.	<p>The solution valve is open.</p> <p>The solution valve or wiring is damaged.</p> <p>The solution valve is dirty</p> <p>There is a damaged seat and washer in the solution valve.</p> <p>The solution module is defective.</p>	<p>Close or Clean the solution valve.</p> <p>Repair or replace the valve and the wiring.</p> <p>Clean the solution valve.</p> <p>Replace the seat and washer.</p> <p>Replace solution module.</p>
The machine does not remove all the water from the floor.	<p>The squeegee is up.</p> <p>The squeegee tilt is not correct.</p> <p>The recovery tank is full.</p> <p>The screen filter is dirty.</p> <p>There is an obstruction or damage in the squeegee, squeegee hose or standpipe.</p> <p>The vacuum motor is not running.</p> <p>The squeegee hose is disconnected, or damaged</p> <p>The squeegee blade is damaged, worn, or incorrectly installed.</p> <p>The gaskets on the cover of the recovery tank are damaged.</p>	<p>Lower the squeegee.</p> <p>To adjust See Figure 11, page 23.</p> <p>Drain the recovery tank.</p> <p>Clean the screen filter.</p> <p>Remove the obstruction or repair the damage.</p> <p>Check for tripped breaker. Have an authorized service person make repairs.</p> <p>Check and connect hose.</p> <p>Turn or replace the squeegee blade. Correctly install the squeegee blade.</p> <p>Replace the gaskets.</p>
The batteries do not give the normal running time.	<p>The battery terminals are dirty or damaged.</p> <p>The electrolyte level is too low.</p> <p>The batteries are not fully charged.</p> <p>The charger is damaged.</p> <p>The battery is defective.</p> <p>The batteries are disconnected.</p> <p>Brush is in heavy scrub setting.</p>	<p>Clean the terminals and connectors. Replace the damaged cables. Charge the batteries.</p> <p>Add distilled water to each cell and charge the batteries.</p> <p>Charge the batteries for a full 16 hour charge.</p> <p>Have an authorized service person repair the charger.</p> <p>Check voltage of each cell while discharging.</p> <p>Connect the batteries.</p> <p>Adjust Pressure.</p>

PROBLEM	CAUSE	ACTION
<p>The cleaning is not even.</p>	<p>The scrub brush or pad is worn.</p> <p>There is damage to the brush assembly, caster or the solution valve.</p> <p>The brush motor is not running</p> <p>The solution level is low.</p>	<p>Replace the scrub brush or pad.</p> <p>Have an authorized service person make the needed repairs.</p> <p>Check for tripped breaker. Reset. Check for loose connections.</p> <p>Fill the solution tank.</p> <p>NOTE: If the problem continues consult an authorized service person.</p>
<p>The machine does not run.</p>	<p>The machine loses power.</p> <p>Key or switch is off.</p> <p>Batteries are unplugged. Battery terminals are dirty.</p> <p>Batteries are discharged</p>	<p>Reset the circuit breaker.</p> <p>Turn key or switch on.</p> <p>Check the battery connections.</p> <p>Check battery gauge and recharge</p> <p>NOTE: If the problem continues consult an authorized service person.</p>

Lined writing area with 20 horizontal lines.

LEA ESTE MANUAL

Este manual contiene información importante acerca del uso y la seguridad de la máquina. Si no lee el manual antes de utilizar su máquina Clarke o de intentar realizar los procedimientos de reparación o mantenimiento de la misma, usted o el resto del personal podrían sufrir lesiones; asimismo, podrían producirse daños a la máquina o a otras propiedades. Antes de utilizar la máquina, es necesario recibir la capacitación adecuada en la operación de la misma. Si el operador de la máquina no sabe leer en español, explíquele el manual exhaustivamente antes de que intente utilizarla.

Todas las indicaciones incluidas en este manual se ofrecen desde la posición del operador en la parte posterior de la máquina.

Si desea conseguir nuevos manuales, escriba a: Clarke®, 2100 Highway 265, Springdale, Arkansas 72764.

Índice

Instrucciones de seguridad para el operador	29
Introducción y características técnicas de la máquina	31
Procedimientos de transporte de la máquina	32
Símbolos empleados en Encore S2426 y L2426	34
Panel de control de la máquina	35
Mandos y características de la máquina	36
Preparación de la máquina para trabajar	37
Colocación de las baterías	37
Mantenimiento de la batería	38
Procedimiento de carga de las baterías (cargador remoto)	39
Procedimiento de carga de las baterías (cargador incorporado)	40
Instalación del cepillo o almohadilla	41
Extracción del cepillo o almohadilla	41
Puesta en marcha de la máquina	42
Funcionamiento de la bayeta	42
Llenado del depósito de solución	42
Puesta en marcha de la máquina	43
Cómo limpiar un suelo muy sucio	44
Mantenimiento	45
Procedimientos antes de iniciar el trabajo	45
Procedimientos a realizar al acabar el trabajo	46
Procedimientos a realizar cada semana	47
Mantenimiento de la bayeta	48
Procedimiento de ajuste de la bayeta	48
Cómo centrar o descentrar el cabezal de cepillado	49
Accesorios	50
Solución de los problemas de la máquina	51
 SECCIÓN II Libro de mantenimiento y lista de piezas	 79

INSTRUCCIONES DE SEGURIDAD PARA EL OPERADOR

⚠ ¡PELIGRO!: Si no sigue las instrucciones que siguen a la palabra PELIGRO, se pueden causar lesiones graves, incluso mortales. Lea y siga todas las indicaciones de PELIGRO que se encuentran en este manual y en la máquina.

⚠ ¡AVISO!: Si no sigue las indicaciones de AVISO, se pueden causar lesiones sea al operador sea a otro personal y/o daños materiales. Lea y siga todas las indicaciones de AVISO que se encuentran en este manual y en la máquina.

⚠ ¡CUIDADO!: Si no sigue las instrucciones señaladas con la palabra CUIDADO, se puede estropear la máquina o causar daños en su entorno. Lea y siga todas las indicaciones de CUIDADO que se encuentran en este manual y en la máquina.

⚠ ¡PELIGRO!: Siempre lea este libro de instrucciones antes de arrancar la máquina o hacer un mantenimiento. A falta de esta precaución, corre el peligro de herirse o causar lesiones a colegas de trabajo; podría Ud. también causar daños a la máquina o a su lugar de trabajo. Se debe aprender el manejo de esta máquina antes de usarla. Si usted (o su plantilla) no conoce el español, se ruega dejarse explicar todo el libro antes de usar la máquina.

⚠ ¡PELIGRO!: Si intenta usar una máquina antes de que esté completamente montada, corre el peligro de herirse o causar daños materiales. No opere la máquina antes de que esté completamente montada. Compruebe cuidadosamente el estado de la máquina antes de cada utilización.

⚠ ¡PELIGRO!: Riesgo de explosión y de incendio. No use nunca la máquina con o cerca de productos combustibles, polvo de granos, solventes, diluyentes u otros materiales inflamables. Esta máquina no es adecuada para recoger polvo de materiales peligrosos. Utilice sólo ceras para limpieza de suelos disponibles en los comercios apropiadas para el funcionamiento de la máquina.

⚠ ¡PELIGRO!: Las baterías ácido/plomo generan gases que pueden originar una explosión. Procure que no haya ninguna llama ni chispa cerca de las baterías. NO FUME cerca de la máquina. Cargue las baterías sólo en un local perfectamente ventilado. Antes de conectar el enchufe de corriente continua a la batería y antes de desconectarlo, compruebe que el enchufe del cargador CA está desconectado de la toma de red.











⚠ ¡PELIGRO!: ¡Trabajar con baterías puede ser peligroso! Cuando trabaja cerca de las baterías, siempre lleve gafas o ropas de protección. Quite su reloj y sus joyas. No introduzca ninguna herramienta ni otros objetos metálicos entre los bornes o sobre la tapa de las baterías.

⚠ ¡PELIGRO!: Riesgo de electrocución si Ud. utiliza un cargador cuyo cable de alimentación está dañado. No use nunca un cargador cuyo cable de alimentación está dañado.

⚠ ¡AVISO!: La única posición correcta para el operador es la posición de pie, detrás de la máquina. Cualquier otra posición de conducción puede causar lesiones o daños.

⚠ ¡AVISO!: Esta máquina pesa. No intente transportarla o desplazarla sin la ayuda de otra persona. Se necesitan dos personas para desplazarla sobre una rampa de carga. Desplace siempre la máquina despacio. No gire la máquina sobre una rampa. No la utilice en superficies inclinadas con una pendiente superior a la indicada. Antes de transportar esta máquina, lea los "procedimientos de transporte" que se encuentran en este manual, ya que si no está firme, se podría volcar.

⚠ ¡AVISO!: La máquina se puede volcar y causar lesiones o daños materiales si se coloca sobre una escalera o una rampa de carga. Pare y estacione la máquina sólo en una superficie nivelada. Al parar la máquina, compruebe que todos los mandos están en la posición "OFF". Mueva el interruptor de llave a la posición "OFF" y retire la llave.

-  **¡AVISO!:** El mantenimiento y las reparaciones llevados a cabo por personal no autorizado pueden provocar daños o lesiones. El mantenimiento y las reparaciones sólo deben ser realizados por personal autorizado de Clarke Technology.
-  **¡AVISO!:** Cualquier modificación o cambio realizado a la máquina puede causar averías o daños a la máquina o lesionar al operador u otras personas que se encuentren cerca. El fabricante anulará toda garantía y rechazará cualquier responsabilidad en caso de modificaciones y cambios no autorizados.
-  **¡AVISO!:** El agua o la humedad pueden causar cortocircuitos en el sistema eléctrico. Procure que el sistema eléctrico esté siempre seco. Seque cuidadosamente la máquina después de cada utilización. Este equipo es exclusivamente para uso en seco y no se puede utilizar o almacenar en exteriores con humedad.
-  **¡AVISO!:** Es indispensable leer todas las instrucciones escritas en la máquina antes de la primera utilización. Compruebe que todos los adhesivos y todas las instrucciones estén colocados en los sitios previstos. Su distribuidor Clarke podrá proporcionarle adhesivos o placas de recambio.
-  **¡AVISO!:** Las superficies húmedas pueden ser resbaladizas. Las soluciones acuosas y los detergentes utilizados con este tipo de máquina pueden dejar zonas húmedas en el suelo, lo que supone un riesgo para el operador u otras personas. Coloque siempre paneles de aviso “Atención” en la zona donde se usa la máquina.
-  **¡AVISO!:** Cuando evacua las aguas residuales, tiene que respetar el medio ambiente. El organismo de Protección del medio ambiente de los Estados Unidos ha establecido ciertas reglamentaciones con relación a la eliminación de aguas residuales. Sírvase cumplir con la legislación vigente en su municipio, departamento o región. Infórmese sobre las disposiciones a este respecto y respételas. No puede ignorar nunca los peligros de polución causados por el desagüe de los productos químicos.
-  **¡AVISO!:** Utilice únicamente los cepillos suministrados con el equipo o los que se especifican en el Libro de instrucciones. El empleo de otro tipo de cepillos podría comprometer la seguridad.
-  **¡CUIDADO!:** No use la máquina como taburete o escabel. No la use como medio de transporte o mueble. Corre el peligro de causar lesiones o daños materiales
-  **¡CUIDADO!:** Se anulará la garantía de la máquina si se utilizan piezas que no son piezas originales Clarke. Sólo use recambios Clarke.
-  **¡CUIDADO!:** Esta máquina contiene baterías de ácido de plomo. Deshágase de ellas de manera segura para el medio ambiente.

Introducción y características técnicas

Introducción y características técnicas

La fregadora automática de nuevo diseño BOOST 28 de Clarke es una máquina eficiente y superior para limpieza de pisos. La máquina BOOST 28 utiliza un movimiento orbital para fregar un recorrido de 28 pulgadas de ancho. Una escobilla de goma limpia el piso mientras el motor de vacío quita la solución sucia del piso - y todo esto en una sola pasada.

La máquina BOOST 28 se entrega completa con 4 baterías de 6 voltios, un cargador de baterías, un cepillo o almohadilla y un manual del operador.

CARACTERÍSTICAS TÉCNICAS:

Modelo	BOOST 28
Alimentación de la máquina	24V CC (4) Baterías de larga duración 6V 250 AH o (4) Baterías de larga duración 6V 330 AH
Disco o cepillo	1 por máquina
Marcha	0,5hp (0,4 kW) eje transversal
Velocidad marcha adelante	Variable a 250 pies/min. (76 m/min.)
Velocidad marcha atrás	Variable a 190 pies/min. (58m/min.)
Protección batería	Bajo voltaje
Motor de aspiración	Acústica, alta eficiencia, tangencial ¾ HP 3 etapas
Depósito de solución	20 galones (76 litros)
Nivel de solución	Indicador de nivel calibrado en la parte trasera de la máquina
Depósito de recuperación	20 galones (76 litros)
Indicador de recuperación completa	Desactivación eléctrica
Bayeta parabólica	Tipo swing con dispositivo de seguridad, función sin funcionamiento de la herramienta, hoja rígida de 39 pulgadas (99 cm) de ancho con hoja flexible de 41 pulgadas (104 cm) de ancho.
Funcionamiento bayeta	Sentido inverso sobre suelo y palanca con 3 posiciones de funcionamiento.
Amplitud de limpieza	28 pulgadas (71 cm).
Motor, cepillo	0,75 HP (0,56kW)
Tamaño cepillo/disco	14 pulgadas x 28 pulgadas (35.6 cm x 71 cm)
Velocidad cepillo	2250 RPM
Presión cepillo	100 libras / 45.5 kg
Ruedas motrices	Rodadura de neopreno (2) 8 pulg. x 2 pulg. (20 cm x 5 cm)
Articulación	Doble 4 pulg. x 2 pulg. (10 cm x 5 cm)
Cargador	24 V CC , 25 Amp, 115/60, Incorporado opcional
Grado de limpieza	5 grados (6%)
Longitud	56.25 pulgadas (143 cm)
Anchura	28.75 pulgadas (73 cm)
Altura	43 pulgadas (109 cm)
Peso con baterías (250 AH)	586 lbs (266 kg)
Línea de vista (desde la altura del operador): 68 pulgadas (173 cm)	7,5 pies (2,3 m)
Ruido	71 dBA
Vibraciones	< 2,5 m/s ²

TRANSPORTE DE LA MÁQUINA

Cómo colocar la máquina en un camión o una camioneta

⚠ ¡AVISO! Esta máquina pesa. No intente transportarla o desplazarla sin la ayuda de otra persona. Se necesitan dos personas para desplazarla sobre una rampa de carga. Siempre desplace la máquina despacio. No gire la máquina sobre una rampa. No deje nunca la máquina parada sobre un plano inclinado. Antes de transportar la máquina, lea las INSTRUCCIONES PARA EL TRANSPORTE que se encuentran en el manual.



Figura #1

⚠ ¡AVISO! La máquina puede volcar si está en posición inestable sobre una escalera o una rampa de carga y causar lesiones o daños materiales. Pare y estacione la máquina sólo en una superficie nivelada. Al parar la máquina, compruebe que todos los mandos están en la posición "OFF".

1. Compruebe que la rampa de carga tiene por lo menos 2,5m (8 pies) de largo y 81 cm (32 pulgadas) de ancho y que es suficientemente resistente al peso de la máquina.
2. Compruebe que la rampa está seca y limpia.
3. Coloque la rampa.
4. Retire el montaje de la escobilla de goma antes de cargar. Clarke recomienda descargar antes los depósitos de solución y recuperación.
5. Ponga el interruptor principal a llave en la posición "ON".
6. Coloque la máquina sobre una superficie nivelada, aproximadamente a 2 m (5 pies) de la rampa y frente a ella.
7. Ponga el botón de selección de velocidades en la velocidad máxima.
8. Pulse uno de los interruptores marcha adelante / atrás, presionando al mismo tiempo el botón blanco "marcha atrás". Retrocediendo, guíe la máquina sobre la rampa. (Véase figura 1.)
9. Ponga el interruptor principal a llave en la posición "OFF".

TRANSPORTE DE LA MÁQUINA

10. **Estibe la máquina en el vehículo.** Clarke recomienda poner una correa alrededor de la parte superior de la máquina y otra para impedir que la máquina se resbale hacia adelante o hacia atrás. En caso contrario, la máquina podría volcar. Hay cuatro puntos de fijación previstos para fijar la máquina (2 a cada lado del bastidor).

Cómo descargar la máquina de un camión o una camioneta

1. Despeje la zona de descarga de obstáculos.
2. Compruebe que la rampa tiene por lo menos 2,50 m (8 pies) de largo y 81 cm (32 pulgadas) de ancho y que es suficientemente resistente al peso de la máquina.
3. Compruebe que la rampa está seca y limpia.
4. Coloque la rampa.
5. Quite las sujeciones de la máquina al vehículo.



¡AVISO!: La máquina pesa. Se necesitan dos personas para manejarla sobre una rampa de carga.

6. Ponga el interruptor principal en la posición "ON".
7. Ponga el botón central de mando de la velocidad en el reglaje mínimo. Mueva la máquina despacio y con precaución hacia la cumbre de la rampa y empiece a bajar.
8. La máquina avanza si Ud. pulsa sea el interruptor derecho, sea el interruptor izquierdo (adelante/atrás). (Véase figura 2.)
9. Cuando la máquina empieza a bajar la rampa, presione el interruptor "marcha adelante" o "marcha atrás" de manera a mantener una velocidad lenta.
10. Después de la descarga, coloque de nuevo el conjunto de la bayeta, hora se puede usar la máquina.

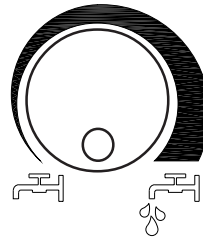


Figura #2

SÍMBOLOS UTILIZADOS EN BOOST 28



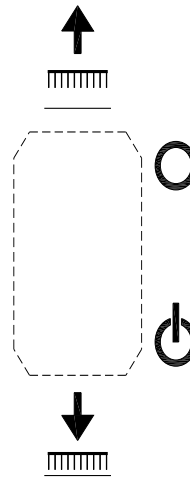
Aviso



Control de la solución



Alimentación



Cepillo arriba/abajo



Control de la velocidad de marcha



Placa de aviso con freno de mano



Placa de aviso sin freno de mano

MANDOS

Interruptor principal a llave (figura 3, A)

El interruptor principal acciona la alimentación del cuadro. 'I' = On (activado), 'O' = Off (desactivado).

Interruptor marcha adelante/atrás (figura 3, B)

Este interruptor pone en marcha adelante el motor de tracción y si los motores de los cepillos están en posición baja, acciona también los motores de los cepillos/el módulo de control de solución. El motor del disco para durante 2 segundos cuando el interruptor se encuentra de nuevo en su posición inicial. Se puede utilizar indistintamente el interruptor izquierdo o derecho. Para la marcha atrás, presione uno de estos interruptores mientras pulsa el interruptor blanco de la marcha atrás.

Indicador de carga de las baterías (figura 3, C)

El indicador de carga indica la carga relativa del grupo de baterías. Pare la máquina si la aguja se encuentra en la zona 'roja'. Si sigue trabajando con la máquina, causará el desgaste prematuro de las baterías.

Interruptor de marcha atrás (figura 3, D)

Cuando utilice simultáneamente el interruptor de marcha atrás y uno de los interruptores de tracción, puede echar la máquina hacia atrás. La velocidad en marcha atrás corresponde a 70% de la velocidad en marcha adelante.

Interruptor del motor de aspiración (Ver figuras 4 y 5, pág.36)

Para activar el motor de aspiración, baje la palanca de la bayeta. La palanca tiene dos posiciones. La posición más baja es la posición de funcionamiento y la posición media es la posición de transporte para vaciar la manguera de aspiración.

Disyuntores (figura 3, E, F, G y H)

Los botones de puesta a cero de los disyuntores se encuentran en la parte trasera del capot.

- Punto E = Cabezal actuador (5 amp)
- Punto F = Motor de aspiración (30 amp)
- Punto G = motor del cepillo (40 amp)
- Punto H = Motor de marcha (25 amp)

Si un disyuntor se desconecta, identifique el motor que ya no funciona y ponga el interruptor principal a llave en la posición 'O'. Espere 5 minutos, luego reactive el disyuntor pulsando el botón de puesta a cero. Ponga el interruptor principal a llave en la posición 'I' y vuelva a intentar. Si el disyuntor se desconecta de nuevo, acuda a un técnico de mantenimiento autorizado.

Empuñaduras de mando (figura 3, I)

Las empuñaduras de mando se encuentran en la parte trasera de la máquina. Permiten dirigir la máquina.

Perilla de control de la solución (consulte la figura 3, J)

La perilla de control de la solución regula el flujo de solución química hasta el piso. Para aumentar el flujo, gire la perilla en el sentido de las agujas del reloj. Para reducir el flujo, gire la perilla en el sentido contrario a las agujas del reloj. El sentido contrario a las agujas del reloj completo es "OFF" (apagado) y el sentido de las agujas del reloj completo es "ON" (encendido). Clarke recomienda empezar con la perilla situada en la sección verde para brindar la mejor limpieza general con un aprovechamiento óptimo del agua.

Selector de la velocidad de tracción (figura 3, K)

Para aumentar la velocidad, gire el botón en el sentido horario.

Interruptor del motor del cepillo (figura 3, L)

Para activar el motor del cepillo, coloque la posición del cepillo en la posición "abajo". El motor del cepillo y el flujo de solución se activarán al pulsar los botones de desplazamiento. Para bloquear el motor del cepillo, coloque la posición del cepillo en la posición "arriba".

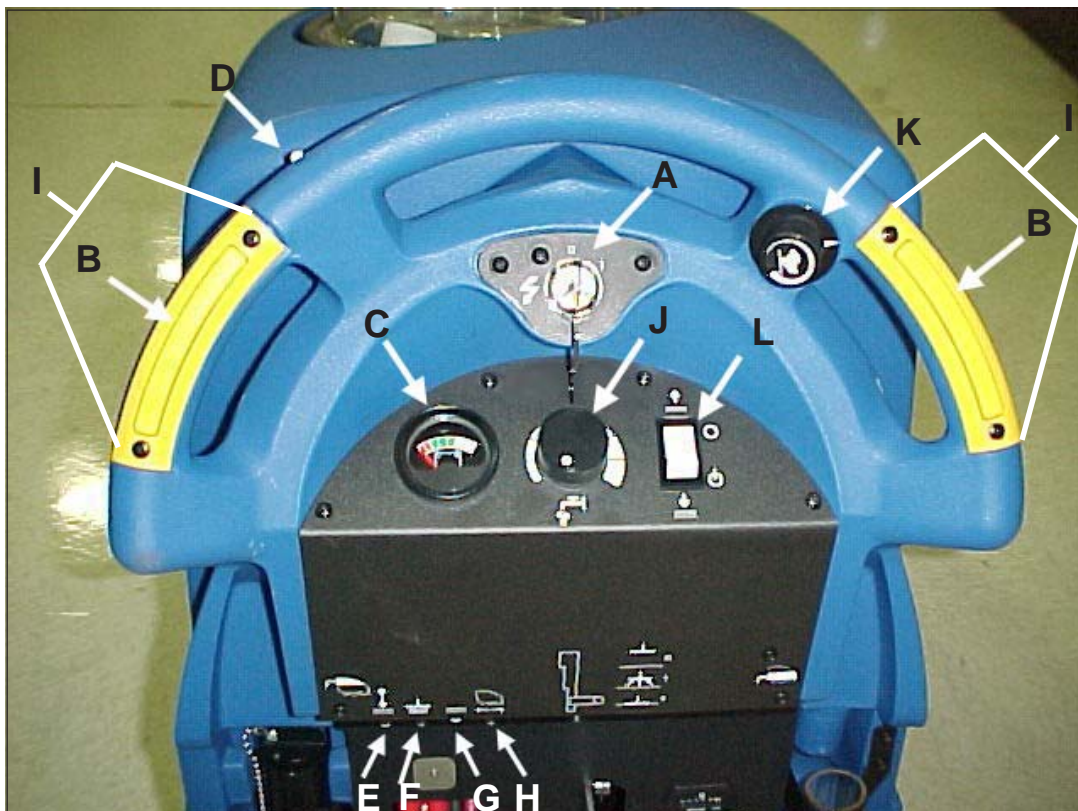


Figura 3

MANDOS Y CARACTERÍSTICAS DE LA MÁQUINA

Palanca elevadora de la bayeta (figuras 4 y 5)

La palanca elevadora de la bayeta es la palanca central que se encuentra debajo de las empuñaduras de mando. Esta palanca permite bajar y elevar la bayeta. El motor de aspiración funciona cuando la palanca se encuentra en la primera o en la última posición.

Flotador de aspiración (figura 6)

El flotador de parada del motor de aspiración se encuentra en el depósito de recuperación. Para automáticamente el motor de aspiración cuando el depósito de recuperación está lleno. **NOTA: Si observa la presencia de una cantidad importante de espuma en el depósito de recuperación, añada un antiespumante en el depósito de solución. El exceso de espuma puede dañar el motor de aspiración.**

Freno de mano (opcional) (figura 7)

NOTA: el freno de mano se debe emplear si se utiliza la máquina en una superficie en una pendiente superior a 2%.

El freno de mano evita el movimiento de la máquina.

⚠ ¡CUIDADO! No active nunca el freno de estacionamiento cuando la máquina está en movimiento.

El freno se encuentra en el lado derecho de la máquina sobre el motor del eje transversal. Apague el interruptor a llave o desconecte la alimentación de la batería para activar el freno.

Hay una palanca mecánica ubicada en el freno. Esta palanca es un mecanismo limitador. Para soltar el freno manualmente, gire la palanca en sentido horario. Para volver a poner el freno en la posición normal o para activar el freno, gire la palanca en sentido antihorario.

NOTA: Si la palanca se deja en la posición limitadora, el freno no funcionará con el interruptor a llave, y tampoco funcionará la máquina.



Figure 4



Figure 5

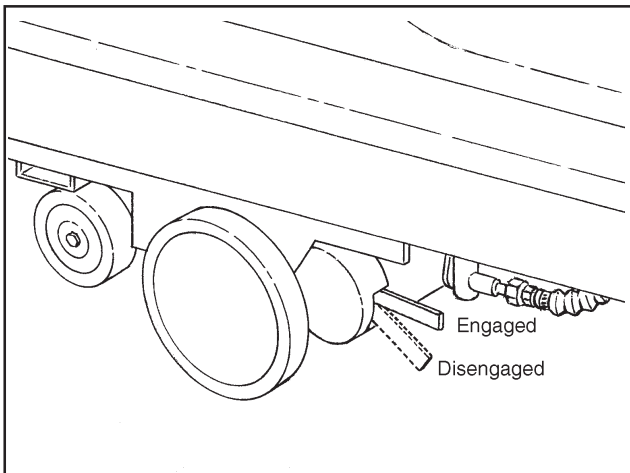


Figure 7



Figure 6

PREPARACIÓN DE LA MÁQUINA PARA TRABAJAR

Colocación de las baterías

La máquina BOOST 28 funcionan con dos baterías de 12V o con cuatro baterías de 6V. Las baterías están ubicadas en el compartimiento de baterías situado debajo del depósito de recuperación.

Para colocar las baterías, siga el procedimiento siguiente:

1. Pare la máquina y si tiene un freno de estacionamiento, actívelo.
2. Compruebe que el depósito de recuperación está vacío.
3. Inclíne el depósito de recuperación hacia arriba hasta que quede bloqueado en la posición abierta. Véase figura 8A.

¡CUIDADO! Antes de levantar el tanque, asegúrese de que esté vacío.

NOTA: Existe una posición intermedia para mantener el depósito de recuperación abierto para cargar las baterías. Véase la figura 8B.

¡AVISO! No haga funcionar la máquina ni realice mantenimiento mientras el depósito de recuperación se encuentra en la posición intermedia. El depósito puede golpearse accidentalmente y cerrarse en forma repentina.

4. Coloque las baterías en la cubeta como se indica en la figura 8C.

¡AVISO! Las baterías pesan. No las levante solo: se podría lesionar. Levante las baterías con la ayuda de otra persona.

¡AVISO! La manipulación de las baterías es peligrosa. Siempre lleve ropas y gafas de protección cuando trabaja cerca de las baterías. **¡NO FUME!**

5. Conecte los cables entre las baterías e instale un cable de batería largo como se indica. Ver figura 8.
6. Junte el empalmador del grupo de baterías con el empalmador del cuadro de mando. Véase figura 9.
7. Cierre el depósito de recuperación levantando el brazo sujetador y baje el depósito lentamente.

NOTA: Cargue las baterías antes de utilizar la máquina.



Figure 8A



Figure 8B

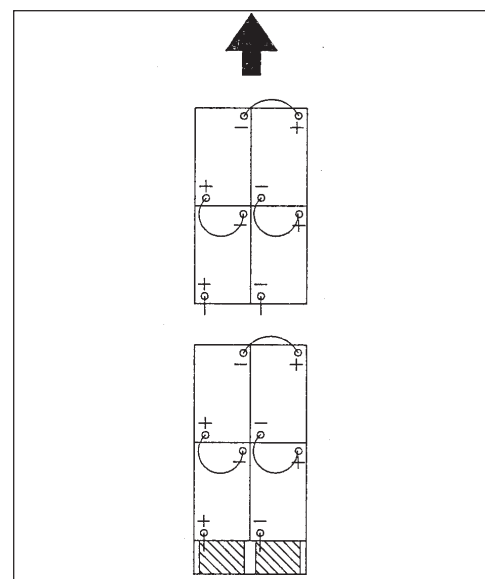


Figure 9

PREPARACIÓN DE LA MÁQUINA PARA TRABAJAR

Mantenimiento de las baterías

Las baterías con acumuladores proporcionan la alimentación eléctrica necesaria para el funcionamiento de la máquina. Las baterías de acumuladores necesitan un mantenimiento preventivo.



¡AVISO!

La manipulación de las baterías es peligrosa. Siempre lleve ropas y gafas de protección cuando trabaja cerca de las baterías. ¡NO FUME!

Para guardar las baterías en buen estado, siga las instrucciones siguientes:

1. Mantenga un nivel de ácido correcto. El nivel de llenado adecuado se sitúa aproximadamente a 5 mm (1/4 pulg.) de distancia de la parte inferior del tapón de cada célula y encima de la parte superior de las placas. Compruebe el nivel del ácido cada vez que carga las baterías. Véase figura 10.

NOTA: Compruebe el nivel de ácido antes de cargar las baterías. Compruebe que cada placa está sumergida. No llene completamente las células antes de cargar la batería. El ácido se dilata durante la carga y podría rebosar. Llene las células añadiendo agua destilada después de la operación de carga.



¡CUIDADO!

Las baterías son irremediamente dañadas si el nivel de ácido no cubre las placas. Mantenga un nivel de ácido correcto.



¡CUIDADO!

Si las baterías están sobrecargadas se pueden producir daños en la máquina y descargas eléctricas en la parte superior de las baterías. Al llenar las baterías, no llegue hasta el final del tubo de cada celda. Elimine los restos de ácido de la máquina y de la parte superior de las baterías. No añada ácido a la batería una vez instalada.



¡CUIDADO!

Las baterías sólo se pueden rellenar con agua destilada. No utilice agua corriente ya que contiene sustancias contaminantes que podrían dañar las baterías.

2. Las tapas de las baterías deben estar siempre limpias y secas. Procure mantenerlas limpias. Para limpiar las tapas de las baterías, use un trapo húmedo, embebido de una solución de poca concentración de amoníaco o bicarbonato de sosa. Hay que limpiar los bornes y los empalmadores con la herramienta adecuada. Procure que la solución de amoníaco o de bicarbonato de sosa no penetre dentro de las baterías.

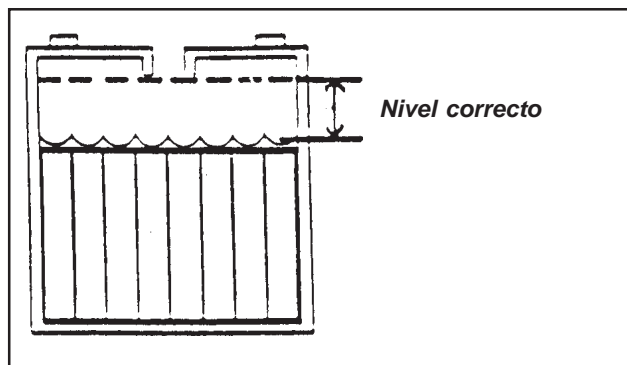


Figura 10

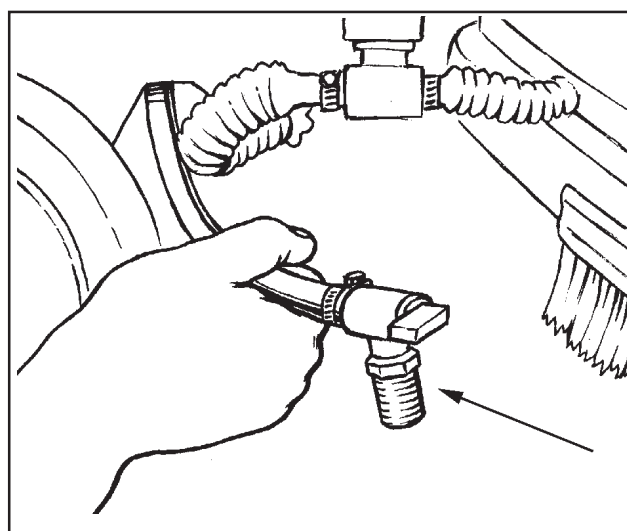


Figura 11

3. Las baterías deben estar siempre cargadas.
4. Para vaciar el compartimiento de las baterías (véase figura 11)
 - a. Lleve siempre ropas y gafas de protección.
 - b. Añada una solución ligera de amoníaco o una solución de bicarbonato de sosa al compartimiento de la batería para neutralizar el ácido que se haya derramado.
 - c. Tire del tubo de drenaje desde el eje transversal.
 - d. Coloque las manos detrás de la brida y abra la válvula.
 - e. Cuando esté vacía, cierre la válvula.
 - f. Sustituya la válvula y el tubo de drenaje de la parte superior del eje transversal.
 - g. Neutralice todos los restos de ácido con amoníaco o bicarbonato de sosa.

PREPARACIÓN DE LA MÁQUINA PARA TRABAJAR

Carga de las baterías (cargador remoto)

⚠ ¡AVISO! Si carga las baterías en un local que no está suficientemente ventilado, corre el riesgo de causar una explosión. Para evitar cualquier peligro de explosión, cargue siempre las baterías en un local bien ventilado.

⚠ ¡AVISO! Las baterías ácido/plomo generan gases explosivos. Procure que no haya ninguna llama ni chispa cerca de las baterías. **NO FUME.**

Para cargar las baterías, siga el procedimiento siguiente:

1. Compruebe que el interruptor principal esté en la posición "OFF".
2. Antes de cargar las baterías, se debe ventilar el compartimento de las baterías. Para ventilar el compartimento, incline hacia arriba el depósito de recuperación hasta que quede bloqueado en una de las dos posiciones abiertas. Véase la figura 12A y 12B. Para cerrar el depósito, levante el brazo sujetador y baje el depósito lentamente hasta la posición cerrada.

⚠ ¡CUIDADO! Antes de levantar el tanque, asegúrese de que esté vacío.

⚠ ¡AVISO! No haga funcionar la máquina ni realice mantenimiento mientras el depósito de recuperación se encuentra en la posición intermedia. El depósito puede golpearse accidentalmente y cerrarse en forma repentina.

3. Coloque el cargador sobre una superficie plana. Asegúrese de que las ventilaciones sobre los laterales se encuentren por lo menos a dos pulgadas de distancia de las paredes y otros objetos. Asegúrese de que no se encuentren objetos cerca de las ventilaciones en la parte inferior del cargador.
4. Desconecte el conector del paquete de batería de las baterías.
5. Conecte el conector CC del cargador al conector del paquete de baterías. Consulte la figura 13.
6. Conecte el cable de C.A. del cargador de la batería a un receptáculo de pared de 15 amperes (mín.) 120 V debidamente conectado a tierra.

NOTA: Compruebe que el circuito en el que desea enchufarlo no esté cargado con otros equipos. Los interruptores de pared pueden activarse y no se producirá la carga.

⚠ ¡ADVERTENCIA! Nunca cargue una batería de GEL con un cargador de batería inadecuado. Siga cuidadosamente las instrucciones provistas por el fabricante de las baterías y del cargador de batería.

NOTA: Para impedir que las baterías se dañen de forma permanente, evite que se descarguen por completo. Nunca deje las baterías completamente descargadas aún cuando la máquina no se use. Al recargar las baterías, mantenga abierto el depósito de recuperación. Cada 20 operaciones de recarga, verifique el nivel de electrolito y, de ser necesario, cubra por completo con agua destilada.



Figura 12A



Figura 12B

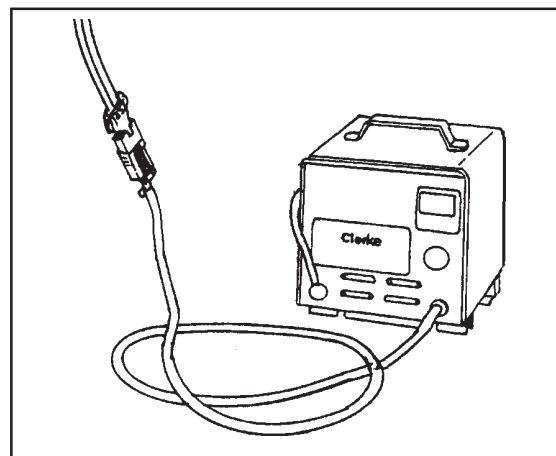


Figura 13

PREPARACIÓN DE LA MÁQUINA PARA TRABAJAR

Carga de las baterías (cargador incorporado)

⚠ ¡AVISO! Si carga las baterías en un local que no está suficientemente ventilado, corre el riesgo de causar una explosión. Para evitar cualquier peligro de explosión, cargue siempre las baterías en un local bien ventilado.

⚠ ¡AVISO! Las baterías ácido/plomo generan gases explosivos. Procure que no haya ninguna llama ni chispa cerca de las baterías. **NO FUME.**

Para cargar las baterías, siga el procedimiento siguiente:

1. Compruebe que el interruptor principal esté en la posición "OFF".
2. Antes de cargar las baterías, se debe ventilar el compartimento de las baterías. Para ventilar el compartimento, incline hacia arriba el depósito de recuperación hasta que quede bloqueado en una de las dos posiciones abiertas. Véase la figura 14A y 14B. Para cerrar el depósito, levante el brazo sujetador y baje el depósito lentamente hasta la posición cerrada.

⚠ ¡CUIDADO! Antes de levantar el tanque, asegúrese de que esté vacío.

⚠ ¡AVISO! No haga funcionar la máquina ni realice mantenimiento mientras el depósito de recuperación se encuentra en la posición intermedia. El depósito puede golpearse accidentalmente y cerrarse en forma repentina.

3. Conecte el cable de CA del cargador de baterías ubicado en la parte posterior de la máquina a un receptáculo de pared de 15 amperes (mín.) 120V debidamente conectado a tierra.
4. Observe la luz indicadora en el cargador para comprobar que el proceso de carga ha comenzado. La luz amarilla indica el estado de carga. La luz verde fija indica que se ha completado la carga de las baterías.

NOTA: Compruebe que el circuito en el que desea enchufarlo no esté cargado con otros equipos. Los interruptores de pared pueden activarse y no se producirá la carga.

⚠ ADVERTENCIA: Nunca cargue una batería de GEL con un cargador de baterías inadecuado. Siga cuidadosamente las instrucciones provistas por el fabricante de las baterías y del cargador de baterías.

NOTA: Para impedir que las baterías se dañen de forma permanente, evite que se descarguen por completo. Nunca deje las baterías completamente descargadas aún cuando la máquina no se use. Al recargar las baterías, mantenga abierto el depósito de recuperación. Cada 20 operaciones de recarga, verifique el nivel de electrolito y, de ser necesario, cubra por completo con agua destilada.



Figura 14A



Figura 14B

PREPARACIÓN DE LA MÁQUINA PARA TRABAJAR

Instalación del cepillo o almohadilla

Para instalar el cepillo o la almohadilla en la máquina siga este procedimiento:

1. Gire el interruptor de llave hasta la posición "ON" (encendido).
2. Sitúe el interruptor del cepillo en la posición "UP" (arriba).
3. Gire el interruptor de llave hasta la posición "OFF" (apagado).
4. Diríjase a la parte delantera de la máquina.
5. Presione sobre un cepillo o almohadilla, debajo de las placas flexibles. Consulte la figura 15.

NOTA: Cuando se utiliza una almohadilla negra, posicione la almohadilla sobre el cabezal. Baje el cabezal y opere momentáneamente para fijar la almohadilla al impulsor de la almohadilla (si tiene dificultad, posicione la almohadilla sobre el piso y baje el cabezal, luego opere).

Retirada del cepillo o almohadilla

Para extraer el cepillo o la almohadilla de la máquina siga este procedimiento:

1. Gire el interruptor de llave hasta la posición "ON" (encendido).
2. Sitúe el interruptor del cepillo en la posición "UP" (arriba).
3. Gire el interruptor de llave hasta la posición "OFF" (apagado).
4. Diríjase a la parte delantera de la máquina y tire del cepillo o de la almohadilla hacia abajo hasta que se suelte de las placas flexibles. Consulte la figura 16.

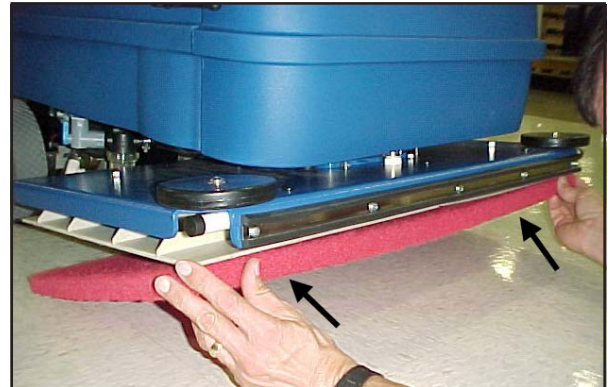


Figura 15

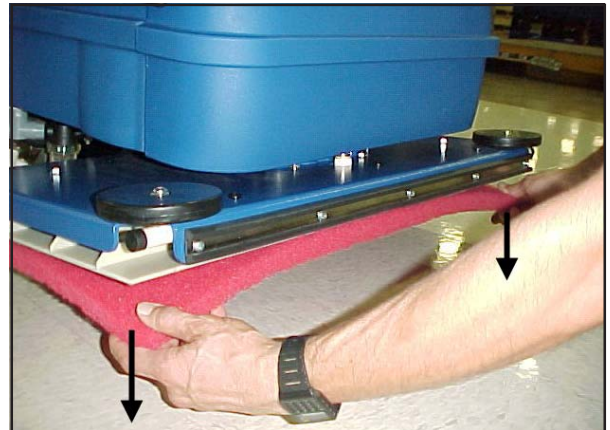


Figura 16

PUESTA EN MARCHA DE LA MÁQUINA

Funcionamiento de la bayeta

La bayeta rasca el suelo mientras el motor de aspiración aspira la solución de agua sucia. Baje o levante la empuñadura de mando de la bayeta con la mano derecha. Para hacer funcionar la bayeta, siga el procedimiento siguiente:

1. Para bajar la bayeta y arrancar el motor de aspiración, mueva la palanca de la bayeta hacia la derecha y bájela (véase figura 17).
2. Para elevar la bayeta, vuelva a colocar la palanca en la posición elevada (véase figura 18).

NOTA: La posición central permite al motor de aspiración seguir girando, cuando la bayeta ya no está en contacto con el suelo. Esto evita los goteos y es también la posición en que la bayeta debe encontrarse cuando la máquina funciona en marcha atrás.

Llenado del depósito de solución

El depósito de solución puede llenarse por delante o a través de la manguera de drenaje transparente en la parte de atrás de la máquina (Ver la figura 19). Para llenar el depósito de solución, siga este procedimiento:

1. Levante la tapa del depósito de solución. Añada la cantidad necesaria de producto de limpieza, siguiendo las instrucciones que se encuentran en el recipiente.
2. Llene el depósito de solución con agua. Al llenar la máquina por delante con una manguera, coloque la manguera en la pantalla de llenado como se muestra en la figura 19A.

Al llenar la máquina desde la parte trasera, coloque la manguera de drenaje transparente contra el soporte e inserte la manguera como se muestra en la figura 20. El nivel de solución puede verse desde la parte de atrás de la máquina.



Figura 17



Figura 18



Figura 20

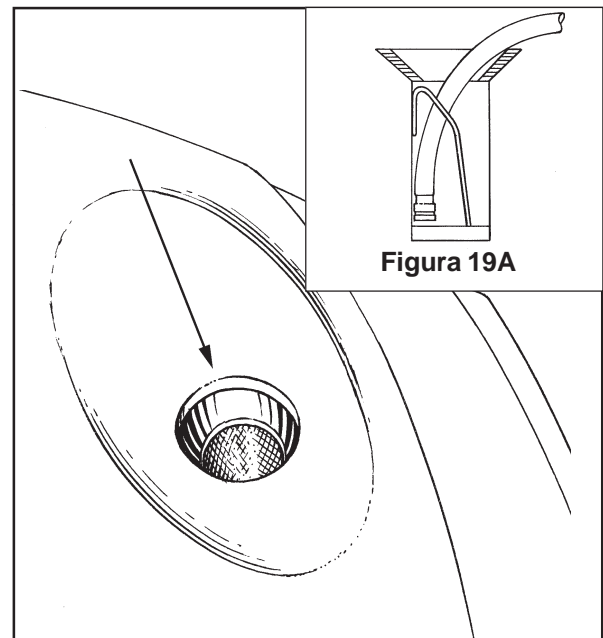


Figura 19A

Figura 19

PUESTA EN MARCHA DE LA MÁQUINA

Al llenar la máquina desde la parte trasera, coloque la manguera de drenaje transparente contra el soporte e inserte la manguera como se muestra en la figura 20B. El nivel de solución puede verse desde la parte de atrás de la máquina.

¡AVISO! Las soluciones acuosas y los detergentes utilizados con este tipo de máquina pueden dejar zonas húmedas en el suelo, lo que supone un riesgo para el operador u otras personas. Coloque siempre paneles de aviso "Atención" en la zona donde se usa la máquina.

¡AVISO! Las máquinas pueden causar la inflamación de algunos materiales y vapores. No use la máquina con o cerca de productos inflamables como: gasolina, polvo de granos, solventes y diluyentes. Sólo use el producto de limpieza aconsejado por el fabricante.

¡AVISO! Clarke Technology aconseja una temperatura máxima del agua de 120°F (49°C).



Figura 21

Puesta en marcha de la máquina

NOTA: Ajuste la velocidad de la máquina en la velocidad mínima. Use la máquina en un área donde no haya muebles u objetos hasta que pueda hacer lo siguiente:

1. Mover la máquina en línea recta, en marcha adelante y atrás.
2. Parar la máquina despacio.
3. Girar la máquina hacia la izquierda, luego hacia la derecha y volver a guiarla hacia adelante.

Para mover la máquina, siga el procedimiento siguiente:

1. Si la máquina tiene un freno de estacionamiento, aflójelo.
2. Ponga el interruptor principal a llave en la posición "I".
3. Levante el cepillo.
4. Levante la bayeta.
5. Pulse el botón izquierdo o el botón derecho (mando adelante/atrás), véase figura 21A, para avanzar la máquina.
6. Ponga el selector en la velocidad deseada (figura 21C).
7. Para parar, afloje la presión sobre el botón A (izquierdo o derecho).
8. Para retroceder, pulse el botón blanco (figura 21, B) mientras pulsa uno de los botones "A" (Figura 21, A).
9. Para parar la máquina, afloje la presión sobre el botón A.
10. Para girar la máquina, empuje la parte trasera de la máquina hacia un lado.
11. Cuando no utiliza la máquina, ponga el interruptor principal a llave en la posición "OFF" y ponga el freno de estacionamiento, si la máquina tiene uno.

PUESTA EN MARCHA DE LA MÁQUINA

Consejos para la limpieza



¡AVISO! Las soluciones acuosas o los detergentes utilizados con este tipo de máquina pueden dejar zonas húmedas en el suelo, lo que supone un riesgo para el operador u otras personas. Coloque siempre paneles de aviso "Atención" en la zona donde se usa la máquina.

Para limpiar el suelo, siga el procedimiento siguiente:

1. Si la máquina está equipada con un freno de estacionamiento, actívelo.
2. Llene el depósito de solución con agua y la cantidad adecuada de producto de limpieza.
3. Afloje el freno de estacionamiento (si la máquina tiene uno).
4. Ponga el interruptor principal en "I".
5. Baje la bayeta.
6. Sitúe el interruptor del cepillo en la posición "abajo".
7. Gire el botón de reglaje de la solución hacia la derecha para permitir que salga la solución. Regule el caudal según el tipo de trabajo.
8. Haga una pasada con la máquina a lo largo de todo el piso.
9. Gire a 180°

NOTA: Las pasadas de limpieza tienen que solaparse 5 cm como mínimo.

NOTA: Para la mayoría de los trabajos, la aplicación de la solución y la aspiración del agua sucia se harán en un solo paso.

Limpieza de un suelo muy sucio.

Para limpiar una superficie muy sucia, siga el procedimiento siguiente:

1. Aplique la solución de limpieza.
2. No baje la bayeta. El motor de aspiración no se pondrá en marcha.
3. Baje el cepillo o el disco y friegue el suelo.
4. Pase de nuevo en el mismo sitio aplicando más solución de limpieza y bajando la bayeta.
5. Aspire toda el agua sucia.

MANTENIMIENTO

⚠ ¡AVISO!: Las reparaciones y operaciones de mantenimiento deben ser hechas siempre por técnicos autorizados Clarke.

⚠ ¡AVISO!: Vacíe siempre los dos depósitos (solución y recuperación) antes de empezar un mantenimiento o una reparación.

⚠ ¡AVISO!: Todas la fijaciones deben estar bien apretadas.

Estos procedimientos de mantenimiento se deben efectuar diariamente

Procure a la limpieza de la máquina, se evitarán de este modo reparaciones y la máquina tendrá una vida útil más larga.

Mantenimiento al principio de un trabajo

1. Desactive el interruptor de llave.
2. Desconecte la alimentación CA del cargador de batería (siga las instrucciones del cargador).
3. Desconecte del conector del paquete de baterías el enchufe en el cargador de baterías, si utiliza un cargador remoto.
4. Una el conector desde las baterías a la conexión del cable del panel de control (sólo en cargador remoto). Consulte la figura 22.
5. Compruebe que el filtro del tamiz que protege el motor de aspiración está limpio y correctamente colocado. (véase figura 23).
6. Compruebe que la tapa del depósito de recuperación está correctamente colocada. Ver figura 24.
7. Compruebe que la válvula de las mangueras de vaciado está limpia y ciérrela cuidadosamente.
8. Asegúrese de que el cepillo o la almohadilla estén en posición y se hayan instalado correctamente.
9. Compruebe la instalación de la bayeta y de la manguera de la bayeta.
10. Asegúrese de que el tubo del indicador de nivel/ drenaje de la solución esté firme en el soporte de la parte trasera de la máquina.

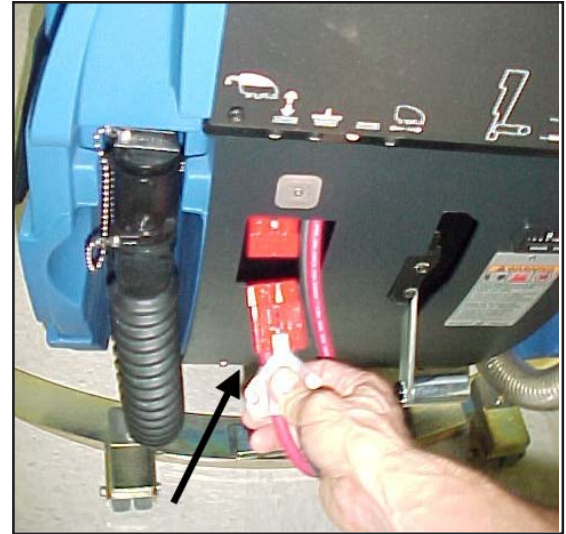


Figure 22



Figure 23



Figure 24

MANTENIMIENTO

Mantenimiento a efectuar después de cada trabajo

1. Vacíe el depósito de solución (figura 25) y el depósito de recuperación (figura 26). Para vaciar los depósitos, proceda así:
 - a. Ponga la llave del interruptor principal en "O"
 - b. Quite el tubo de su alojamiento en la parte trasera de la máquina
 - c. Ponga el extremo del tubo en un cubo o un sumidero
 - d. *Depósito de recuperación:*
 - 1.) Gire el mango de la válvula hacia la izquierda. Tire del mango para abrir el drenaje (Figura 27).

NOTA : Procure que el orificio lateral de la válvula no esté dirigido hacia Ud.

- 2.) Para abrir completamente la válvula de vaciado, gire el tapón hacia la derecha y sáquelo. (Véase figura 28.)

Depósito de solución:

Si se baja el tubo al nivel del agua, ésta fluirá.

2. Enjuague los depósitos echando agua limpia por la abertura situada en la parte superior del depósito.
3. Si un tubo de depósito o de vaciado está atascado, utilice un surtidor de alta presión para limpiarlo, introduciéndolo en el tubo.
4. Deje los depósitos y las válvulas de vaciado abiertos para que se sequen con el aire.
5. Compruebe la lámina de la bayeta. Límpiela con un trapo limpio. Si la lámina está dañada o desgastada, déla vuelta o ponga una nueva lámina.
6. Compruebe y limpie la junta de la tapa del depósito de solución. Utilice una solución de poca concentración de detergente y enjuague las piezas con agua limpia.

Controle las baterías, y si es necesario, añada agua destilada después de cargarlas. El nivel correcto es a 1/4 de pulgada (1/2 cm) de la parte inferior del tubo en cada celda.

⚠ ¡CUIDADO!: El agua del grifo puede contener agentes nocivos para la baterías. Utilice ÚNICAMENTE AGUA DESTILADA para llenar las baterías.

⚠ ¡AVISO!: Las baterías ácido/plomo pueden producir gases explosivos. NO FUME. Lleve siempre gafas y ropas de protección cuando trabaja cerca de las baterías.

Enjuge la máquina con un trapo limpio.

Cargue las baterías. Consultar las instrucciones en la sección "Procedimiento de carga de las baterías" de este manual.



Figura 25



Figura 26

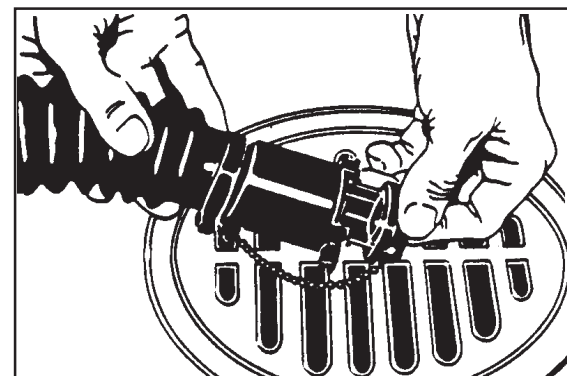


Figura 27

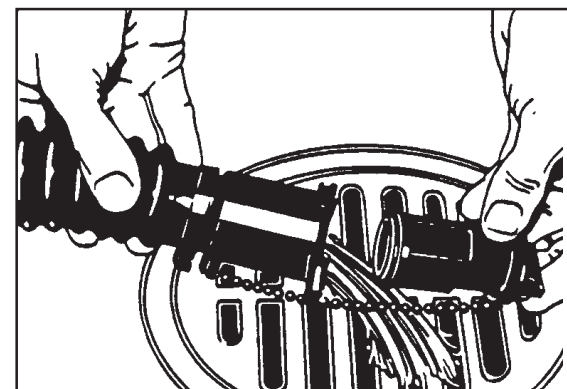


Figura 28

MANTENIMIENTO

Mantenimientos a efectuar semanalmente

⚠ ¡AVISO! Sólo personal autorizado puede efectuar reparaciones y mantenimiento de nuestras máquinas. Vacíe siempre el depósito de solución y el depósito de recuperación antes de cualquier operación de mantenimiento. Procure que las fijaciones estén siempre bien apretadas.

⚠ ¡AVISO! Lleve siempre gafas y ropas de protección cuando trabaja cerca de las baterías. No inserte herramientas u otros objetos metálicos entre los bornes o encima de las baterías.

⚠ ¡CUIDADO! Para evitar daños a la máquina y para que las baterías no se descarguen, el nivel de electrolito no debe nunca pasar el extremo del tubo de cada célula. Enjague todo reboamiento de ácido en la máquina o las baterías. No añada nunca ácido en las baterías después de su colocación.

NOTA: Desactive siempre el interruptor de llave antes de realizar las operaciones de mantenimiento y reparaciones en la máquina.

⚠ ¡AVISO! Lleve siempre gafas y ropas de protección cuando trabaja cerca de las baterías. **¡NO FUME!**

1. Para controlar las baterías, incline el depósito de recuperación hacia arriba hasta que quede bloqueado en la posición abierta. Véase la figura 29A. Para cerrar el depósito, tire hacia arriba del brazo sujetador y luego baje el tanque lentamente hasta la posición cerrada.

⚠ ¡CUIDADO! Antes de levantar el tanque, asegúrese de que esté vacío.

NOTA: Existe una posición intermedia para mantener el depósito de recuperación abierto para cargar las baterías. Véase la figura 29B.

⚠ ¡AVISO! No haga funcionar la máquina ni realice mantenimiento mientras el depósito de recuperación se encuentra en la posición intermedia. El depósito puede golpear accidentalmente y cerrarse en forma repentina.

2. Desconecte las baterías. Utilice una solución con amoníaco o bicarbonato de sosa para enjugar la parte superior de las baterías. Limpie los bornes. Conecte de nuevo las baterías.
3. Compruebe que los tubos no están perforados, atascados o dañados.
4. Utilice una bomba de engrase para lubricar las articulaciones dobles. Ver figura 30



Figura 29A



Figura 29B

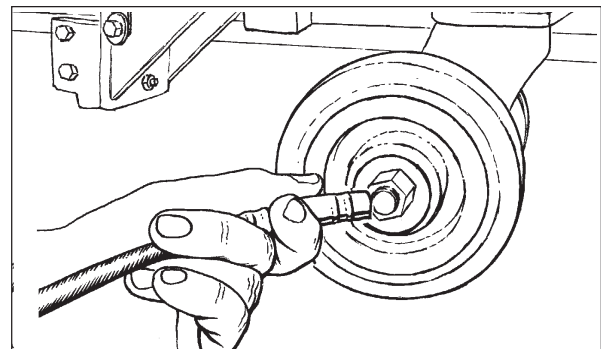


Figura 3

MANTENIMIENTO

Mantenimiento de la bayeta

Para desmontar la bayeta, siga el procedimiento siguiente:

1. Afloje las dos manecillas de fijación del conjunto de la bayeta y luego desmóntelo. (Figura 31)
2. Compruebe el estado de la lámina.
3. Si la lámina está desgastada, déla vuelta para poner un nuevo borde en posición de trabajo.
4. Ponga de nuevo el conjunto de la bayeta en la máquina y apriete las manecillas.

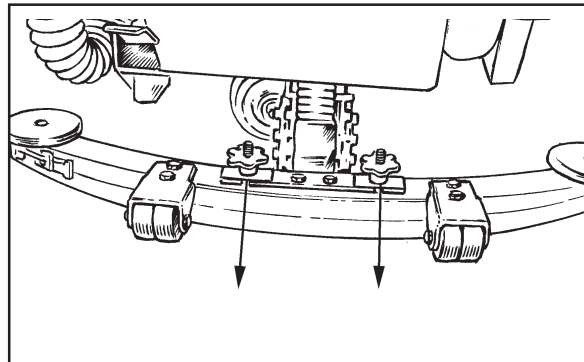


Figura 31

Reglaje de la bayeta

Los reglajes siguientes están efectuados en la fábrica, pero puede ser necesario proceder a algunos pequeños reajustes.

Reglaje de la inclinación de la bayeta

El reglaje permite levantar la lámina trasera sea en el centro, sea en los extremos. (Véase la figura 32.) Afloje los pernos indicados por la letra 'X', a la izquierda y a la derecha. Para bajar la lámina en su centro, gire la pieza 'Y' hacia abajo. Para bajar los extremos de la lámina, gire la pieza 'Y' hacia arriba. Estos reglajes son reglajes finos, proceda despacio hasta obtener un ensanche uniforme.

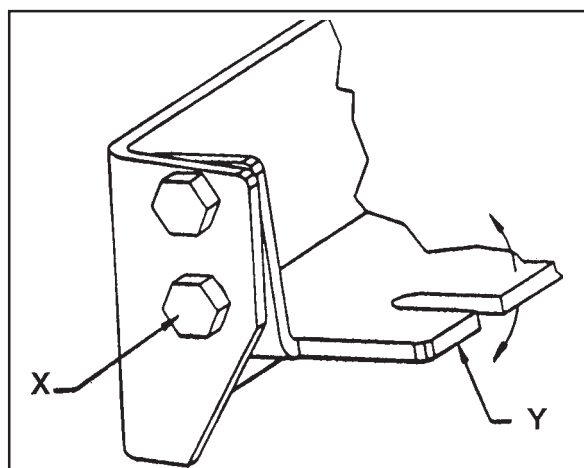


Figura 32

Reglaje de la oscilación de la bayeta

Cuando la bayeta está instalada correctamente, la lámina delantera debe estar 1,5 mm más arriba que la trasera (figura 33).

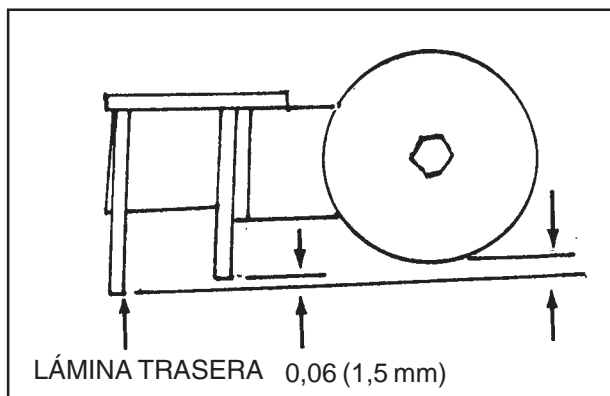


Figura 33

⚠ ¡AVISO! El mantenimiento y las reparaciones deben siempre efectuarse por técnicos autorizados

⚠ ¡AVISO! Las reparaciones eléctricas deben siempre efectuarse por técnicos autorizados.

MANTENIMIENTO

Se ruega dirigirse a un técnico autorizado de Clarke para efectuar las operaciones de mantenimiento.

Sólo utilice recambios originales Clarke.

Cómo centrar o descentrar el cabezal de cepillado

El cabezal de cepillado de la máquina Encore 2426 puede centrarse o descentrarse 1 pulgada hacia el lado derecho de la máquina. Para centrar o descentrar el cabezal de cepillado, siga este procedimiento:

Herramientas recomendadas: trinquete de 3/8 de pulgada, extensión de 3 pulgadas y manguito de 9/16 de pulgada.

¡CUIDADO! Antes de descentrar el cabezal de cepillado, asegúrese de que el depósito de recuperación esté vacío.

1. Coloque el interruptor a llave en la posición "ON".
2. Sitúe el interruptor del cepillo en la posición "UP" (arriba).
3. Coloque el interruptor a llave en la posición "OFF" y retire la llave.
4. Inclíne hacia arriba el depósito de recuperación hasta que quede bloqueado en la posición abierta.
5. Diríjase al frente de la máquina, destrabe la cubierta delantera y ábrala.
6. Ubique los cuatro pernos que se encuentran en el soporte del cabezal de cepillado. Véase la figura 34. Puede acceder a las dos tuercas de fijación a través de la parte superior del depósito de solución. Puede acceder a las dos inferiores desde el frente. Afloje las tuercas de fijación de 2 a 3 vueltas en sentido antihorario. **NOTA:** No quite las tuercas de fijación.
7. El conjunto del cabezal de cepillado puede deslizarse una pulgada hacia el lado derecho o puede volver a centrarse. Deslice el conjunto del cabezal hasta el final de las ranuras para lograr la posición deseada. Esto garantiza que el cabezal se mueva en forma pareja hacia arriba y hacia abajo.
8. Después de reubicar el cabezal de cepillado, ajuste bien las tuercas a aproximadamente 236 pulg/libra.
9. Cierre la cubierta delantera.
10. Cierre el depósito de recuperación.

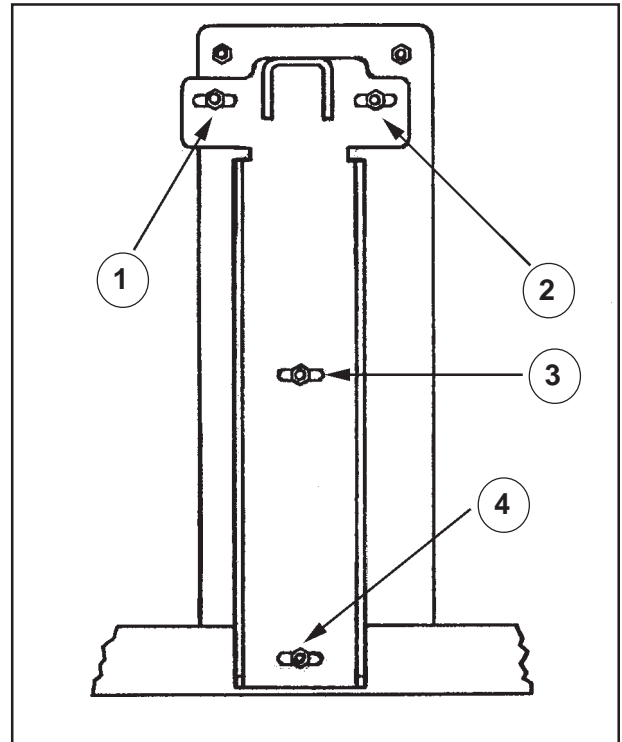


Figura 34

Hay que realizar estos procedimientos de mantenimiento cada seis meses:

Póngase en contacto con un Centro de Servicio Autorizado de Clarke para realizar este procedimiento semestral.

1. Inspeccione las escobillas de carbono en motores eléctricos.
2. Limpie los terminales y conectores de la batería. Asegúrese de que todas las conexiones de la batería estén bien sujetas.
3. Inspeccione todos los interruptores, controles, válvulas, mangueras y juntas.
4. Inspeccione y quite los escombros de los cubos de los transejes.
5. Reemplace los aislantes de goma (Vea Ref. #24 en la sección de Lista de Piezas del Montaje del Cabezal del Cepillo). Los aislantes de goma son considerados elementos que sufren desgaste y deben ser reemplazados cada seis meses.
6. Reemplace los aislantes de goma (Vea Ref. #55 en la sección de Lista de Piezas del Montaje del Cabezal del Cepillo). Los aislantes de goma son considerados elementos que sufren desgaste y deben ser reemplazados cada seis meses.

Accesorios

ACCESORIOS

<u>Descripción</u>	<u>N° Pieza</u>
Juego sistema de varillas motorizadas	10150A
Juego de mantenimiento Clarke	14607A
Conjunto de la bayeta de 39"	11054K
Producto de protección para el Polidur	50478A
Juego bomba de engrase	55420A
Juego parada automática alimentación insuficiente	14097A
Conjunto de juego de freno	10072A
Bolsa accesorios	30070A
Juego del horómetro	10656A
Conjunto de ruedecillas blandas	51092A
Kit, llenado de solución	10177A
ESP Sistema de reciclado	10663A

Almohadillas y cepillos:

<u>Tamaño</u>	<u>Descripción</u>	<u>N° Pieza</u>
14" x 28"	Rojo (paquete de 5)	997001
14" x 28"	Negro (paquete de 5)	997000
14" x 28"	Blanco (paquete de 5)	997002
14" x 28"	Azul (paquete de 5)	997006

Láminas de la bayeta:

<u>Descripción</u>	<u>Conjunto de 39"</u>
Lámina trasera - Goma de caucho	30069A
Lámina trasera - Nitrilo sólido	30082A
Lámina trasera - Acanalada naranja	30086A
Lámina delantera - Acanalada natural	30091A
Lámina delantera - Con hendidura, lechada	30080A
Lámina delantera - Acanalada naranja	30084A

SOLUCIÓN DE LOS PROBLEMAS DE LA MÁQUINA

PROBLEMA	CAUSA	SOLUCIÓN
La solución no se derrama	<p>El depósito de solución está vacío</p> <p>La válvula de la solución está cerrada</p> <p>El filtro o el tubo está atascado</p> <p>La válvula de la solución o el circuito eléctrico están dañados</p> <p>El módulo de la solución está dañado.</p>	<p>Llene el depósito</p> <p>Abra la válvula</p> <p>Desatasque el tubo o destape el filtro</p> <p>Arregle o cambie la válvula y el circuito eléctrico</p> <p>Sustituya el módulo de la solución</p>
El flujo de solución no para	<p>La válvula de la solución está abierta</p> <p>La válvula de la solución o el circuito eléctrico están dañados</p> <p>La válvula de la solución está sucia</p> <p>La chapaleta y la tuerca de la válvula están dañadas</p> <p>El módulo de la solución está dañado</p>	<p>Cierre o limpie la válvula de la solución</p> <p>Arregle o cambie la válvula y el circuito eléctrico</p> <p>Limpie la válvula</p> <p>Cambie la chapaleta y la tuerca</p> <p>Sustituya el módulo de la solución</p>
La máquina no aspira toda el agua del suelo	<p>La bayeta está levantada</p> <p>La inclinación de la bayeta no es correcta</p> <p>El depósito de recuperación está lleno</p> <p>El filtro del tamiz está sucio</p> <p>La bayeta, el tubo de la bayeta y el tubo están atascados o dañados</p> <p>El motor de aspiración no funciona</p> <p>El tubo de la bayeta está desconectado o dañado</p> <p>La lámina de la bayeta está dañada, desgastada o colocada de manera incorrecta</p> <p>Las juntas de la tapa del depósito de recuperación están dañadas</p>	<p>Baje la bayeta</p> <p>Para ajustarla, ver figura 11, página 23.</p> <p>Vacíe el depósito</p> <p>Limpie el filtro</p> <p>Desatasque o arregle los daños</p> <p>Compruebe el disyuntor si se desconectó. Acuda a un técnico cualificado para las reparaciones.</p> <p>Compruebe y cambie el tubo</p> <p>Dé vuelta la lámina o cámbiela Ponga la lámina correctamente</p> <p>Cambie las juntas</p>

PROBLEMA	CAUSA	SOLUCIÓN
<p>Las baterías se descargan prematuramente</p>	<p>Los bornes están sucios o dañados</p> <p>El nivel de ácido está demasiado bajo</p> <p>Las baterías no han sido correctamente cargadas</p> <p>El cargador está dañado</p> <p>Las baterías están defectuosas</p> <p>Las baterías están desconectadas</p> <p>El cepillo está permanentemente en posición de fregado ("heavy scrub")</p>	<p>Limpie los bornes y los empalmadores. Cambie los cables dañados. Cargue las baterías</p> <p>Añada agua destilada en cada célula y cargue las baterías de nuevo</p> <p>Cargue las baterías durante 16 horas</p> <p>Acuda a un técnico autorizado para arreglar el cargador</p> <p>Compruebe la tensión de cada célula en descarga</p> <p>Conecte las baterías</p> <p>Ajuste la presión</p>
<p>La limpieza no es uniforme</p>	<p>El cepillo de fregado o el disco están desgastados</p> <p>El conjunto del cepillo, la ruleta o la válvula de solución están dañados</p> <p>El motor del cepillo no funciona</p> <p>El nivel de solución está demasiado bajo</p>	<p>Cambie el cepillo o el disco</p> <p>Acuda a un técnico cualificado para las reparaciones</p> <p>Compruebe el disyuntor si se desconectó. Póngalo de nuevo en cero. Compruebe las conexiones.</p> <p>Llene el depósito de solución</p> <p>NOTA: si el problema persiste, acuda a un técnico cualificado para comprobar la máquina.</p>
<p>La máquina no funciona</p>	<p>Perdida de potencia</p> <p>El interruptor principal a llave está en "O"</p> <p>Las baterías están desconectadas</p> <p>Los bornes de las baterías están sucios</p> <p>Las baterías están descargadas</p>	<p>Enganche de nuevo el disyuntor.</p> <p>Ponga la llave del interruptor principal en "I"</p> <p>Compruebe las conexiones</p> <p>Limpie los bornes</p> <p>Compruebe el indicador de las baterías y cárguelas de nuevo</p> <p>NOTA: si el problema persiste, acuda a un técnico cualificado para comprobar la máquina.</p>

LISEZ CE MANUEL

Ce Manuel contient des informations importantes concernant l'utilisation et le fonctionnement de cette machine dans des conditions de sécurité optimales. La non-lecture de ce manuel avant d'utiliser ou d'entretenir votre machine Clarke risque de provoquer un accident ou d'endommager la machine ou son environnement. Vous devez avoir été formé à l'utilisation de cette machine avant de l'utiliser. Si l'opérateur n'est pas en mesure de lire ce Manuel, il devra se le faire expliquer entièrement avant de tenter d'utiliser cette machine.


Toutes les directions données dans ce Manuel le sont par rapport à la position de l'opérateur, à l'arrière de la machine.


Pour commander un nouveau Manuel, écrivez à : Clarke®, 2100 Highway 265, Springdale, Arkansas 72764.


Table des matières


Instructions pour la sécurité de l'opérateur	55
Introduction et caractéristiques techniques	57
Transport de la machine	58
Symboles utilisés pour BOOST 28	60
Commandes	61
Commandes (suite)	62
Préparation de la machine avant la mise en service	63
Placement des batteries	63
Entretien des batteries	64
Charge des batteries	64
Comment charger les batteries (chargeur à distance)	65
Comment charger les batteries (chargeur embarqué)	66
Comment installer la brosse ou le tampon	67
Comment retirer la brosse ou le tampon	67
Mise en service	68
Fonctionnement du suceur	68
Remplissage du réservoir de solution	68
Fonctionnement de la machine	69
Conseils pour le nettoyage	70
Entretien	71
Tâches de début de travail	71
Tâches de fin de travail	72
Tâches hebdomadaires	73
Entretien du suceur	74
Réglage du suceur	74
Centrage ou excentrage de la tête de brosse	75
Accessoires	76
Problèmes et solutions proposées	77
 SECTION II : Manuel d'entretien et liste de pièces	 79


INSTRUCTIONS POUR LA SÉCURITÉ DE L'OPÉRATEUR


 **DANGER :** Le non-respect des consignes précédées du mot **DANGER** peut occasionner des blessures graves, voire entraîner la mort. Lisez et respectez toutes les consignes **DANGER** figurant dans ce manuel et sur la machine.


 **AVERTISSEMENT :** Le non-respect des consignes **AVERTISSEMENT** peut entraîner des blessures pour l'opérateur ou d'autres membres du personnel et/ou occasionner des dégâts matériels. Lisez et respectez toutes les consignes **AVERTISSEMENT** figurant dans ce manuel et sur la machine.


 **ATTENTION :** Le non-respect des consignes signalées par le mot **ATTENTION** peut entraîner des dégâts à la machine ou dans son environnement. Lisez et observez toutes les consignes **ATTENTION** figurant dans ce manuel et sur la machine.


 **DANGER :** Lisez toujours ce manuel d'instructions avant de mettre la machine en service ou de procéder à un entretien. A défaut, vous risqueriez de vous blesser ou de blesser des collègues de travail; vous pourriez également provoquer des dégâts à la machine ou sur votre lieu de travail. Vous devez avoir reçu une formation avant d'utiliser la machine. Si l'opérateur ne peut lire le manuel, veuillez lui faire expliquer le manuel complètement avant de commencer à utiliser la machine.


 **DANGER :** Si vous tentez d'utiliser une machine avant qu'elle ne soit complètement montée, vous risquez de vous blesser ou de provoquer des dégâts matériels. Ne mettez pas la machine en service avant qu'elle ne soit complètement montée. Vérifiez soigneusement l'état de la machine avant chaque utilisation.


 **DANGER :** Risque d'explosion et d'incendie. Cette machine n'est pas destinée à ramasser les poussières dangereuses. N'utilisez jamais la machine avec ou près de combustibles, de grains de poussière, de solvants, de diluants ou d'autres matériaux inflammables. N'utilisez que des cires de nettoyage pour sols disponibles dans le commerce et conçues pour être utilisée avec cette machine.

 **DANGER :** Les batteries acide-plomb dégagent des gaz qui peuvent provoquer une explosion. Veillez à ce qu'il n'y ait ni étincelle ni flamme à proximité des batteries. **NE FUMEZ PAS** à proximité de la machine. Procédez à la charge des batteries dans un endroit bien ventilé. Avant de connecter le chargeur et la machine ou de les déconnecter, vérifiez que la fiche du chargeur CA est bien débranchée de la prise réseau.

 **DANGER :** Quand vous travaillez à proximité des batteries, portez toujours des lunettes ou des vêtements de protection. Enlevez montres et bijoux. N'introduisez pas d'outils ou autres objets métalliques entre les bornes ou sur le couvercle des batteries.

 **DANGER :** Risque d'électrocution si vous utilisez un chargeur dont le câble d'alimentation est endommagé. N'utilisez jamais un chargeur dont le câble d'alimentation est endommagé.

 **AVERTISSEMENT :** La seule position correcte pour l'opérateur est debout, derrière la machine. Toute autre position de conduite risque de provoquer des blessures ou des dégâts.

 **AVERTISSEMENT :** Cette machine est lourde. N'essayez pas de la transporter ou de la déplacer sans aide. Il faut deux personnes pour la faire glisser le long d'une rampe de chargement. Déplacez la machine lentement. Ne tournez pas la machine sur la rampe. Ne la laissez jamais à l'arrêt sur un plan incliné. En cas d'utilisation de la machine sur une pente de degré supérieur à celui indiqué sur la machine. Avant de transporter la machine, lisez les **INSTRUCTIONS POUR LE TRANSPORT** qui figurent dans le manuel.

-  **AVERTISSEMENT:** La machine peut basculer si elle est en porte-à-faux sur un escalier ou une rampe de chargement et provoquer des blessures ou des dégâts matériels. N'abandonnez la machine que si vous l'avez arrêtée sur une surface plane et si toutes les commandes sont en position "O". Retirez la clé.
-  **AVERTISSEMENT:** Seul du personnel qualifié, agréé par Clarke Technology, a le droit d'effectuer les réparations et l'entretien de nos machines. Il y va de votre sécurité!
-  **AVERTISSEMENT:** Toute modification ou changement apportés à cette machine peuvent l'endommager ou blesser l'opérateur ou d'autres personnes se trouvant à proximité. Les modifications et changements qui n'ont pas été expressément autorisés par le fabricant annulent toute garantie. La responsabilité du fabricant se trouve de ce fait entièrement dérogée.
-  **AVERTISSEMENT:** L'eau ou l'humidité peuvent provoquer des courts-circuits dans le système électrique. Veillez à ce qu'il soit toujours bien sec. Essuyez la machine après chaque utilisation. Cette machine est destinée à être utilisée dans un environnement sec et ne doit pas être utilisée ou rangée à l'extérieur lors de conditions humides.
-  **AVERTISSEMENT:** Il est indispensable de lire toutes les indications et informations figurant sur la machine avant de procéder à la mise en service. Vérifiez que tous les adhésifs et toutes les instructions sont placés aux endroits corrects. Les adhésifs et plaques de remplacement sont disponibles chez votre revendeur Clarke Technology.
-  **AVERTISSEMENT:** Les surfaces humides peuvent être glissantes. Les solutions aqueuses et les détergents utilisés avec ce type de machine peuvent laisser des zones humides sur le sol, représentant un risque pour l'opérateur ou d'autres personnes. Placez toujours des panneaux d'avertissement " Attention " aux alentours de la zone dans laquelle vous utilisez la machine.
-  **AVERTISSEMENT:** L'élimination des eaux usées doit se faire dans le respect de l'environnement. Toute évacuation " sauvage " est illégale. Veuillez vous conformer strictement à la législation en vigueur dans votre commune , municipalité, département ou région. Informez-vous des dispositions légales en la matière et respectez-les. Vous ne devez jamais ignorer les risques de pollution qu'entraîne la mise en décharge de produits chimiques.
-  **AVERTISSEMENT:** Utilisez uniquement les brosses fournies avec cette machine et celles spécifiées dans le manuel d'utilisation. L'utilisation d'autres brosses risque de compromettre votre sécurité.
-  **ATTENTION :** Ne pas utiliser cette machine comme tabouret ou escabeau. Ne pas l'utiliser comme moyen de transport ou comme meuble. Risque de blessures ou de dégâts.
-  **ATTENTION :** La garantie sera annulée si d'autres pièces que les pièces d'origine Clarke Technology sont montées sur la machine. Utilisez toujours des pièces de rechange Clarke Technology.
-  **ATTENTION :** Cette machine est équipée de batteries d'accumulateur au plomb. Elles doivent être mises au rebut de la manière appropriée pour protéger l'environnement.

Introduction et caractéristiques techniques

Introduction et caractéristiques techniques

La nouvelle brosseuse automatique BOOST 28 de Clarke est une machine de nettoyage des revêtements de sols efficace. Le BOOST 28 utilise un mouvement orbital pour broser sur une largeur de 28 pouces. Une raclette frotte le sol tandis que le moteur de l'aspirateur élimine les saletés du sol. Un seul passage suffit.

Le BOOST 28 est livré avec des batteries de 6 V, un chargeur pour batterie, une brosse ou un tampon et un manuel d'utilisation.

CARACTÉRISTIQUES TECHNIQUES:

Modèle	BOOST 28
Alimentation	24 V CC 4 batteries cycle complet 6 V - 250 Ah 4 batteries cycle complet 6 V - 330 Ah
Disque ou brosse	1 par machine
Traction	Boîte-pont 0,4 kW
Vitesse traction avant	Jusqu'à 76 m/min
Vitesse traction arrière	Jusqu'à 58 m/min
Protection de la batterie	Faible tension
Moteur aspiration	0,56 kw, 3 étages haute efficacité tangentielle
Réservoir de solution	76 l
Niveau de solution	Indicateur de niveau gradué à l'arrière
Réservoir de récupération	76 l
Indicateur de réservoir plein	Arrêt électrique
Suceur parabolique	Type articulé avec rupture. Fonctionnement sans outils Lames dures de 39 pouces (99 cm) de large et lames souples de 41 pouces (104 cm) de large.
Fonctionnement du suceur	Sens inverse sur le sol et levier manuel 3 positions
Largeur de bande traitée	71 cm
Moteur brosse	0,56 kW
Taille brosse/disque	35,6 cm x 71 cm
Vitesse de rotation des brosses	2250 t/min
Pression des brosses	45,4 kg
Roues motrices	20 cm x 5 cm (2) ; néoprène
Roulette	Double 10 cm x 5 cm
Chargeur	24 V, 25 Amp, 115 V/60 Hz (Chargeur embarqué en option)
Pente de nettoyage	5 degrés (6%)
Longueur	143 cm
Largeur (hors tout)	73 cm
Hauteur	109 cm
Poids sans batteries (250 AH)	266 kg
Champ de visibilité (hauteur de l'opérateur) : 173 cm	2,3 m
Niveau sonore	71 dBA
Vibration	<2,5 m/s ²

Transport de la machine**Comment placer la machine dans un camion ou une camionnette**

⚠ AVERTISSEMENT: Cette machine est lourde. N'essayez pas de la transporter ou de la déplacer sans aide. Il faut deux personnes pour la faire glisser le long d'une rampe de déchargement. Déplacez la machine lentement. Ne tournez pas la machine sur la rampe. Ne la laissez jamais à l'arrêt sur un plan incliné. La rampe de chargement doit avoir une largeur minimale de 81 cm.

⚠ AVERTISSEMENT: La machine peut basculer si elle est en port-à-faux sur un escalier ou une rampe de chargement et provoquer des blessures ou des dégâts matériels. N'abandonnez la machine que si vous l'avez arrêtée sur une surface plane et si toutes les commandes sont en position "O" (arrêt).

1. Assurez-vous que la rampe de chargement a au moins 2,5 m de long et 81 cm de large et qu'elle est suffisamment résistante pour supporter le poids de la machine.
2. Vérifiez que la rampe est propre et sèche.
3. Mettez la rampe en position.
4. Retirez la raclette avant le chargement. Clarke recommande de vider le réservoir de solution et le réservoir de récupération avant le chargement.
5. Mettez l'interrupteur principal à clé en position "I" (marche).
6. Amenez la machine sur une surface plane face à la rampe, à 2 m de celle-ci.
7. Mettez le bouton de sélection de la vitesse sur vitesse maximale.
8. Appuyez sur l'un des interrupteurs AV/AR tout en poussant sur le bouton blanc marche arrière. En marche arrière, guidez la machine sur la rampe. Voir figure 1.
9. Mettez l'interrupteur principal à clé en position "O" (arrêt).



Figure 1

Transport de la machine (suite)

10. **Arrimez la machine au véhicule.** Clarke Technology recommande de placer une courroie autour de la partie supérieure de la machine et une autre pour empêcher la machine de glisser vers l'avant ou vers l'arrière. Sinon, la machine risquerait de basculer. Quatre points d'arrimage permettent de fixer solidement la machine (2 de chaque côté du châssis).

Comment décharger la machine d'un camion ou d'une camionnette

1. Assurez-vous qu'il n'y a aucun obstacle dans la zone de déchargement.
2. Vérifiez que la rampe a au moins 2,5 m de long et 80 cm de large et qu'elle est suffisamment résistante pour supporter le poids de la machine.
3. Vérifiez que la rampe est propre et sèche.
4. Mettez la rampe en position.
5. Désarrimez la machine.

⚠ AVERTISSEMENT : Cette machine est lourde. Il faut deux personnes pour la manœuvrer sur une rampe de chargement.

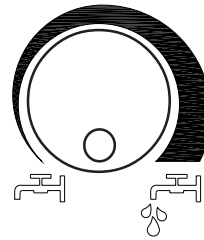
6. Mettez l'interrupteur principal sur "I" (marche).
7. Mettez le bouton de commande de la vitesse sur le réglage minimum. Amenez lentement et prudemment la machine au sommet de la rampe et commencez à descendre.
8. La machine va avancer si vous enfoncez indifféremment l'interrupteur de droite ou de gauche (AV/AR). Voir figure 2.
9. Lorsque la machine commence à descendre la rampe, enfoncez l'interrupteur AV/AR de façon à maintenir une vitesse lente.
10. Après le déchargement, remplacez l'ensemble du suceur. La machine est alors prête à l'emploi.

**Figure 2**

SYMBOLES UTILISÉS POUR BOOST 28



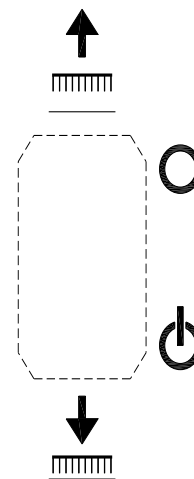
Avertissement
(Classe L et Classe S)



Commande de la solution
(Classe L et Classe S)



Alimentation électrique
(Classe L et Classe S)



**Position haute/
basse de la brosse**
(Classe L et Classe S)



**Commande de la vitesse
de traction**
(Classe L)



**Étiquette
d'avertissement
avec frein de
stationnement**



**Étiquette
d'avertissement
sans frein de
stationnement**

COMMANDES

Interrupteur principal à clé (figure 3, A)

L'interrupteur principal commande l'alimentation du panneau. "I" = On (sous tension), "O" = Off (alimentation coupée).

Interrupteur marche AV/AR (figure 3, B)

Cet interrupteur met le moteur de traction en marche avant et, si le moteur de la brosse est abaissé, il active également le module moteur de brosse/contrôle de solution. Le moteur du disque s'arrête 2 secondes après que l'interrupteur soit revenu à sa position de départ. On peut utiliser indifféremment l'interrupteur de gauche ou de droite. Pour faire reculer la machine, enfoncer simultanément un des interrupteurs et l'interrupteur blanc de la marche arrière.

Indicateur de charge des batteries (figure 3, C)

L'indicateur de charge indique la charge relative du groupe de batteries. Arrêtez la machine si l'aiguille se trouve dans la zone "rouge". Si vous continuez, vous provoquerez une usure prématurée des batteries.

Interrupteur de marche arrière (figure 3, D)

La commande de marche arrière utilisée avec l'un des commutateurs AV/AR permet à la machine de changer de direction. La vitesse de marche arrière est égale à 70% de la vitesse de marche avant.

Interrupteur du moteur d'aspiration (figures 4 et 5, page 62)

Pour activer le moteur d'aspiration, abaisser le levier du suceur. Ce levier peut être placé dans deux positions : la position la plus basse est la position de travail et la position intermédiaire est celle destinée au transport et à l'assèchement du flexible d'aspiration.

Thermiques (figure 3, E, F, G et H)

Les boutons de réarmement des thermiques se trouvent sur la face arrière du capot.

E = tête de l'actuateur (5 Amp.)
F = moteur d'aspiration (30 Amp.)
G = moteur de brosse (40 Amp.)
H = moteur de traction (25 Amp.)

Si un thermique déclenche, repérez le moteur qui ne fonctionne plus et mettez l'interrupteur principal à clé sur "O" (arrêt). Attendez 5 minutes, puis réarmez le thermique en poussant sur le bouton de réarmement. Mettez l'interrupteur principal à clé sur "I" (marche) et réessayez. Si le thermique se déclenche à nouveau, faites appel à un technicien d'entretien agréé.

Poignées de commande (figure 3, I)

Les poignées de commande se trouvent à l'arrière de la machine. Elles servent à contrôler la direction de la machine.

Commande de la solution (figure 3, J)

La commande de la solution règle le débit de la solution chimique pulvérisée sur le sol. Pour augmenter le débit, tournez la commande dans le sens des aiguilles d'une montre. Pour réduire le débit, tournez la commande dans le sens inverse des aiguilles d'une montre. La position finale dans le sens horaire correspond à l'ARRÊT et la position finale dans le sens antihoraire correspond à la MARCHÉ. Clarke recommande d'allumer l'appareil avec la commande dans la zone verte pour obtenir le meilleur nettoyage tout en utilisant de façon optimale l'eau.

Sélecteur de la vitesse de traction (figure 3, K)

Pour augmenter la vitesse, tourner le bouton dans le sens horaire.

Commande du moteur de la brosse (figure 3, L)

Pour activer le moteur de la brosse, poussez le bouton de position de la brosse vers le bas. Le moteur de la brosse et le débit de la solution s'activent lorsque vous appuyez sur les boutons transversaux. Pour arrêter le moteur de la brosse, placez la commande de position de la brosse en position relevée.

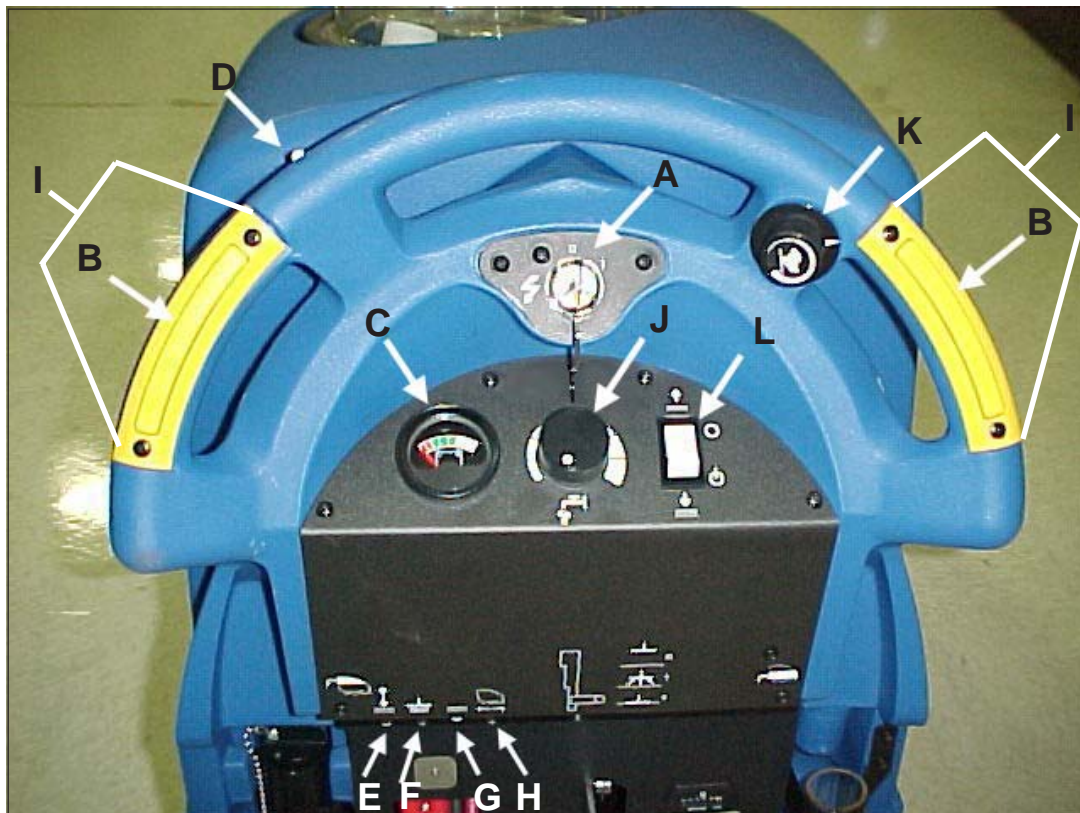


Figure 3

Commandes et caractéristiques

Levier de relevage du suceur (figures 4 et 5)

Le levier de relevage du suceur est le levier central qui se trouve sous les poignées de commande. Il permet d'abaisser ou de relever le suceur. Le moteur d'aspiration se met en marche quand le levier se trouve soit en position intermédiaire, soit en position basse.

Flotteur d'aspiration (figure 6)

Le flotteur d'arrêt du moteur d'aspiration se trouve dans le réservoir de récupération. Il arrête automatiquement le moteur d'aspiration lorsque le réservoir de récupération est rempli. **REMARQUE : Si vous constatez la présence d'une quantité importante de mousse dans le réservoir de récupération, ajoutez un anti-mousse dans le réservoir de solution. L'excès de mousse peut endommager le moteur d'aspiration.**

Frein de stationnement (option) (figure 7)

REMARQUE : Le frein de stationnement doit être utilisé si la machine fonctionne sur une pente supérieure à 2%. Le frein de stationnement bloque la machine à l'arrêt.

⚠ ATTENTION : Ne jamais engager le frein de stationnement lorsque la machine est en mouvement.

Le frein est situé sur le côté droit de la machine, au niveau du moteur de traction. Mettre la clé en position d'arrêt ou couper l'alimentation à la batterie pour engager le frein.

Un levier mécanique se trouve situé sur le frein. Il s'agit d'une commande prioritaire. Pour relâcher le frein manuellement, tourner le levier dans le sens horaire. Pour retourner le frein à sa position antérieure ou pour engager le frein, tourner le levier dans le sens antihoraire.

REMARQUE : Si le levier est laissé en position prioritaire, le frein ne fonctionnera pas avec l'interrupteur à clé et la machine ne pourra fonctionner.



Figure 4



Figure 5

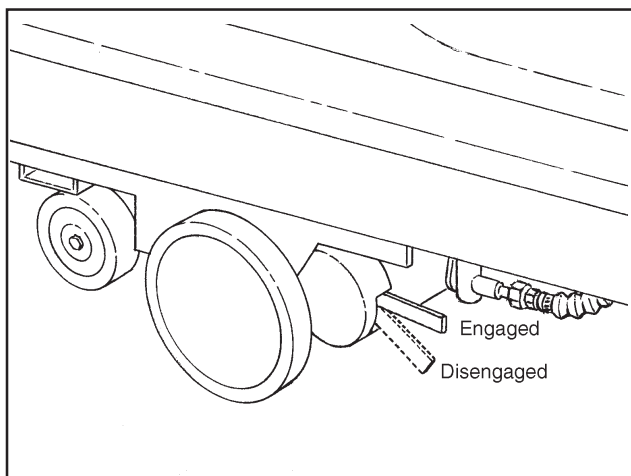


Figure 7



Figure 6

Préparation de la machine avant la mise en service

Placement des batteries

Le autolaveuse "BOOST" fonctionnent sur deux batteries de 12 V ou quatre batteries de 6 V. Celles-ci se trouvent dans le compartiment des batteries situé sous le réservoir de récupération.

Pour installer les batteries, suivre la procédure suivante :

1. Arrêter la machine et, si la machine est équipée d'un frein de stationnement, engager celui-ci.
2. Vérifier que le réservoir de récupération est vide.
3. Basculer le réservoir de récupération jusqu'à ce qu'il soit verrouillé en position complètement ouverte. Voir figure 8A.

⚠ ATTENTION : Avant de soulever le réservoir, assurez-vous qu'il est vide.

REMARQUE : Il existe une position intermédiaire pour maintenir le réservoir de récupération ouvert afin de pouvoir recharger les batteries. Voir figure 8B.

⚠ AVERTISSEMENT: Ne pas effectuer un entretien quelconque sur la machine alors que le réservoir de récupération est en position intermédiaire. Le réservoir pourrait être cogné et se refermer accidentellement.

4. Placer les batteries dans le caisson comme indiqué sur le schéma de la figure 8C.

⚠ AVERTISSEMENT : Les batteries sont lourdes. Il existe un risque de blessure si vous soulevez les batteries sans aide. Faites-vous aider pour soulever les batteries.

⚠ AVERTISSEMENT : Les batteries constituent un danger potentiel. Portez toujours des lunettes et vêtements de protection pour tout travail sur ou près des batteries. NE FUMEZ PAS!

5. Connecter les câbles qui relient les batteries et installer le long câble de connexion de l'ensemble des batteries comme indiqué à la figure 8C.
6. Relier le connecteur de l'ensemble des batteries au connecteur du panneau de commande. Voir figure 9.
7. Refermer le réservoir de récupération en soulevant le bras de verrouillage puis abaisser lentement le réservoir.

REMARQUE : Chargez les batteries avant d'utiliser la machine.



Figure 8A

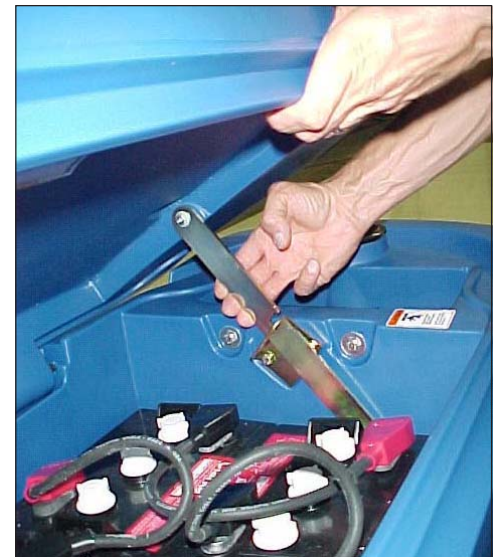


Figure 8B

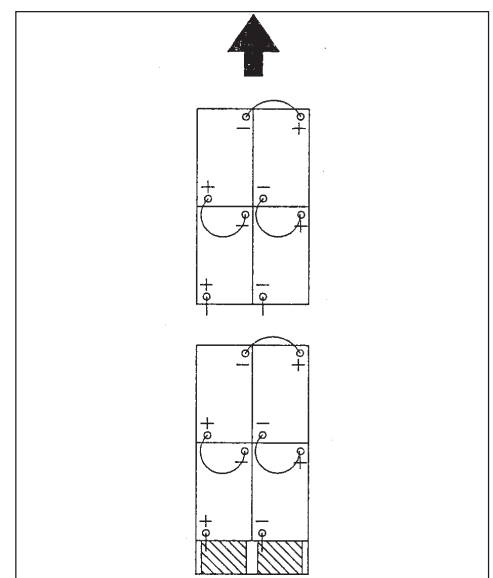


Figure 9

Préparation de la machine avant la mise en service**Entretien des batteries**

Les batteries à accumulateurs fournissent l'alimentation électrique nécessaire au fonctionnement de la machine. Un entretien préventif est nécessaire pour ce type de batteries.

⚠ AVERTISSEMENT : Les batteries constituent un danger potentiel. Portez toujours des lunettes et vêtements de protection pour tout travail près des batteries. NE FUMEZ PAS!

Pour conserver les batteries en bon état, suivez les instructions suivantes :

1. Maintenez un niveau d'acide correct. Le niveau de remplissage requis se situe à environ 6 mm du dessous du bouchon de chaque cellule et au-dessus de la partie supérieure des plaques. Vérifiez le niveau de l'acide chaque fois que vous mettez les batteries en charge. Voir figure 10.

REMARQUE : Vérifiez le niveau d'acide avant de procéder à l'opération de charge des batteries. Vérifiez que chaque plaque est bien immergée. Ne remplissez pas complètement les cellules avant de charger la batterie. L'acide se dilate lors de la charge et pourrait déborder. Remplissez les cellules en ajoutant de l'eau distillée après l'opération de charge.

⚠ ATTENTION : Les batteries seront irrémédiablement endommagées si le niveau d'acide ne recouvre pas les plaques. Maintenez un niveau correct d'acide.

⚠ ATTENTION : Pour éviter tout endommagement de la machine ainsi qu'une décharge par le couvercle des batteries, ne jamais remplir au delà du niveau conseillé (6 mm du bouchon de chaque cellule). Essuyer soigneusement les débordements d'acide sur la machine ou le couvercle des batteries. Ne jamais ajouter d'acide dans une batterie après placement.

⚠ ATTENTION : L'eau de distribution peut contenir des agents nocifs pour les batteries. Utilisez uniquement de l'eau distillée pour remplir les batteries.

2. Les couvercles des batteries doivent toujours être propres et secs. Veillez à les maintenir propres. Pour nettoyer les couvercles des batteries, utilisez un chiffon humide, imbibé d'une solution d'ammoniaque ou de bicarbonate de soude à faible concentration. Pour nettoyer les bornes et les connecteurs, utilisez les outils adéquats. Veillez à ce qu'aucune goutte de solution à l'ammoniaque ou au bicarbonate ne pénètre dans les batteries.

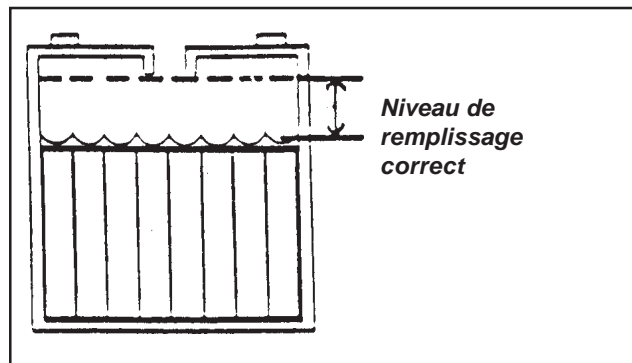


Figure 10

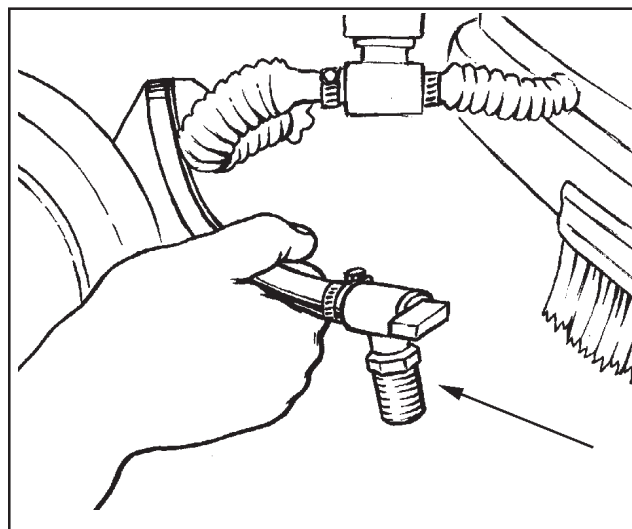


Figure 11

3. Les batteries doivent toujours être chargées.
4. Pour vidanger le compartiment des batteries : (voir figure 11)
 - a. Portez toujours des vêtements et lunettes de protection.
 - b. Ajoutez une solution faible d'ammoniaque ou de bicarbonate de soude dans le compartiment de la batterie pour neutraliser tout acide ayant débordé.
 - c. Tirez le flexible de vidange du dessous de la boîte-pont.
 - d. Introduisez votre main derrière la flasque et ouvrez la vanne.
 - e. Lorsque la vidange est terminée, refermez la vanne.
 - f. Remplacez la vanne et le flexible sous la boîte-pont.
 - g. Neutralisez soigneusement tout débordement d'acide à l'ammoniaque ou au bicarbonate de soude.

Préparation de la machine avant la mise en service

Comment charger les batteries (chargeur à distance)

⚠ AVERTISSEMENT : Si vous chargez les batteries dans un local insuffisamment ventilé, vous risquez de provoquer une explosion. Pour éviter toute explosion, veillez à la bonne aération du local où vous chargez les batteries.

⚠ AVERTISSEMENT : Les batteries acide/plomb produisent des gaz explosifs. Veillez à ce qu'il n'y ait ni flamme ni étincelle aux alentours des batteries. **NE FUMEZ PAS.**

Pour charger les batteries, procédez de la façon suivante :

1. Vérifiez que l'interrupteur principal est en position "O" (arrêt).
2. Avant de procéder au chargement des batteries, le compartiment de la batterie a besoin d'être ventilé. Pour cela, basculez le réservoir de récupération jusqu'à ce qu'il se verrouille dans l'une des deux positions ouvertes. Voir figure 12A et 12B. Pour fermer le réservoir, tirez sur le bras de verrouillage et abaissez le réservoir lentement jusqu'en position fermée.

⚠ ATTENTION : Avant de soulever le réservoir, assurez-vous qu'il est vide.

⚠ AVERTISSEMENT : Ne pas effectuer un entretien quelconque sur la machine alors que le réservoir de récupération est en position intermédiaire. Le réservoir pourrait être cogné et se refermer accidentellement.

3. Placez le chargeur sur une surface plate. Vérifiez que les événements latéraux sont situés à plus de deux pouces des murs et des autres objets. Vérifiez qu'aucun objet n'est situé près des événements situés au bas du chargeur.
4. Débranchez le connecteur des batteries.
5. Branchez le connecteur CC du chargeur au connecteur de batterie. Voir la figure 12C.
6. Branchez le cordon CA du chargeur de batterie à une prise secteur de 15 A (min) et 120 V correctement mise à la terre.

Remarque: Vérifiez qu'aucun autre équipement n'est raccordé à ce circuit. Les disjoncteurs pourraient se déclencher et empêcher le chargement.

⚠ AVERTISSEMENT: Ne chargez jamais une batterie GEL avec un chargeur d'un autre type. Suivez à la lettre les instructions du fabricant de batteries et du chargeur de batterie.

Remarque: Pour éviter d'endommager de façon permanente les batteries, évitez qu'elles s'épuisent complètement. Ne laissez jamais les batteries complètement déchargées même si vous n'allez pas utiliser la machine. Lors de la recharge des batteries, laissez le réservoir de récupération ouvert. Après 20 cycles de recharge, vérifiez le niveau d'électrolyte et, au besoin, faites l'appoint avec de l'eau distillée.



Figure 12A



Figure 12B

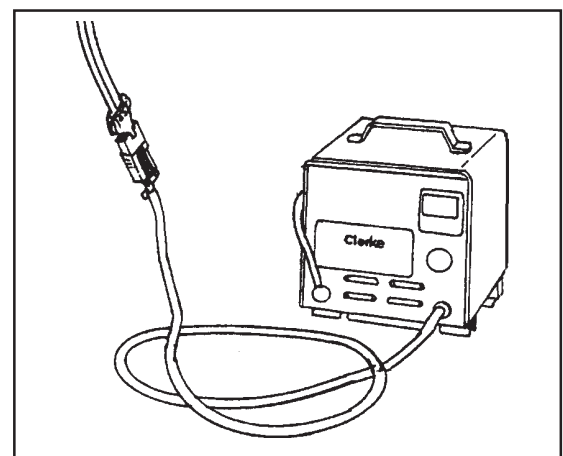


Figure 13

Préparation de la machine avant la mise en service

Comment charger les batteries (chargeur embarqué)

⚠ AVERTISSEMENT : Si vous chargez les batteries dans un local insuffisamment ventilé, vous risquez de provoquer une explosion. Pour éviter toute explosion, veillez à la bonne aération du local où vous chargez les batteries.

⚠ AVERTISSEMENT : Les batteries acide/plomb produisent des gaz explosifs. Veillez à ce qu'il n'y ait ni flamme ni étincelle aux alentours des batteries. **NE FUMEZ PAS.**

Pour charger les batteries, procédez de la façon suivante :

1. Vérifiez que l'interrupteur principal est en position "O" (arrêt).
2. Avant de procéder au chargement des batteries, le compartiment de la batterie a besoin d'être ventilé. Pour cela, basculez le réservoir de récupération jusqu'à ce qu'il se verrouille dans l'une des deux positions ouvertes. Voir figure 14A et 14B. Pour fermer le réservoir, tirez sur le bras de verrouillage et abaissez le réservoir lentement jusqu'en position fermée.

⚠ ATTENTION : Avant de soulever le réservoir, assurez-vous qu'il est vide.

⚠ AVERTISSEMENT: Ne pas effectuer un entretien quelconque sur la machine alors que le réservoir de récupération est en position intermédiaire. Le réservoir pourrait être cogné et se refermer accidentellement.

3. Branchez le cordon CA du chargeur de batterie située à l'arrière de la machine à une prise secteur de 15 A (min) et 120 V correctement mise à la terre.
4. Observez le témoin lumineux pour vérifier que le chargement est en cours. Une lumière jaune indique le chargement. Une lumière verte continue indique que les batteries sont chargées.

Remarque: Vérifiez qu'aucun autre équipement n'est raccordé à ce circuit. Les disjoncteurs pourraient se déclencher et empêcher le chargement.

⚠ AVERTISSEMENT: Ne chargez jamais une batterie GEL avec un chargeur d'un autre type. Suivez à la lettre les instructions du fabricant de batteries et du chargeur de batterie.

Remarque: Pour éviter d'endommager de façon permanente les batteries, évitez qu'elles s'épuisent complètement. Ne laissez jamais les batteries complètement déchargées même si vous n'allez pas utiliser la machine. Lors de la recharge des batteries, laissez le réservoir de récupération ouvert. Après 20 cycles de recharge, vérifiez le niveau d'électrolyte et, au besoin, faites l'appoint avec de l'eau distillée.



Figure 14A



Figure 14B

Préparation de la machine avant la mise en service**Comment installer la brosse ou le tampon**

Pour installer la brosse ou le tampon sur la machine, procédez comme suit:

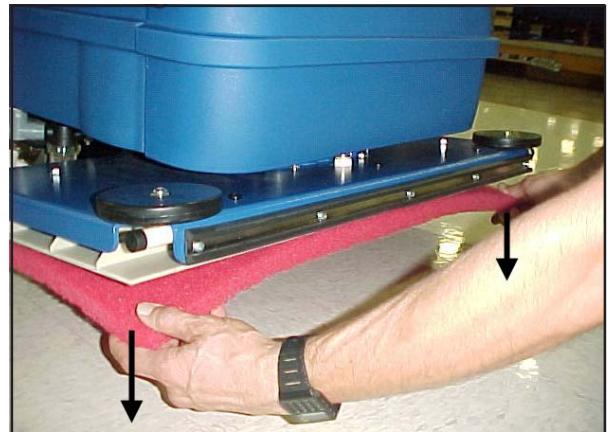
1. Tournez le commutateur à clé sur "ON".
2. Relevez la commande de la brosse.
3. Tournez le commutateur à clé sur "OFF".
4. Placez-vous devant la machine.
5. Faites pression sur une brosse ou un tampon, sous les plaques flexibles. Voir la figure 13.

Remarque: Lors de l'utilisation d'un tampon noir, placez le tampon sur la tête. Abaissez la tête et faites-la fonctionner un instant pour fixer le tampon à son support (en cas de difficulté, placez le tampon sur le sol, abaissez la tête, puis faites-la fonctionner).

Comment retirer la brosse ou le tampon

Pour retirer la brosse ou le tampon de la machine, procédez comme suit:

1. Tournez le commutateur à clé sur "ON".
2. Relevez la commande de la brosse.
3. Tournez le commutateur à clé sur "OFF".
4. Placez-vous à l'avant de la machine et tirez vers le bas sur la brosse ou sur le tampon pour le (ou la) libérer des plaques flexibles. Voir la figure 16.

**Figure 15****Figure 16**

Mise en service de la machine

Fonctionnement du suceur

Le suceur racle le sol tandis que le moteur d'aspiration aspire la solution d'eau sale. Abaissez ou relevez la poignée de commande du suceur à la main. Pour faire fonctionner le suceur, procédez comme suit :

1. Pour abaisser le suceur et faire démarrer le moteur d'aspiration, poussez le levier du suceur vers la droite et abaissez-le. Voir figure 17.
2. Pour relever le suceur, replacez le levier en position haute. Voir figure 18.

REMARQUE : La position centrale permet au moteur d'aspiration de continuer à tourner alors que le suceur n'est plus en contact avec le sol, ceci permet d'éviter les coulures d'eau sale restant dans le flexible d'aspiration. C'est également la position dans laquelle le suceur doit se trouver lorsque la machine fonctionne en marche arrière.

Remplissage du réservoir de solution

Le remplissage du réservoir de solution peut être fait à l'avant ou par le drain de vidange transparent à l'arrière de la machine (voir figure 19). Pour remplir le réservoir, procédez comme suit :

1. Ajoutez la quantité nécessaire de nettoyant au réservoir de solution, en suivant les instructions figurant sur le récipient.
2. Remplissez le réservoir de solution avec de l'eau. Lorsque vous remplissez la machine par l'avant à l'aide d'un tuyau, positionnez ce tuyau à l'intérieur de l'écran de remplissage tel qu'indiqué en figure 19A.

Lorsque vous remplissez la machine par l'arrière, placez le drain de vidange transparent contre le support et insérez le tuyau tel qu'indiqué en figure 20. Le niveau de solution peut être contrôlé à l'arrière de la machine.



Figure 17



Figure 18



Figure 20

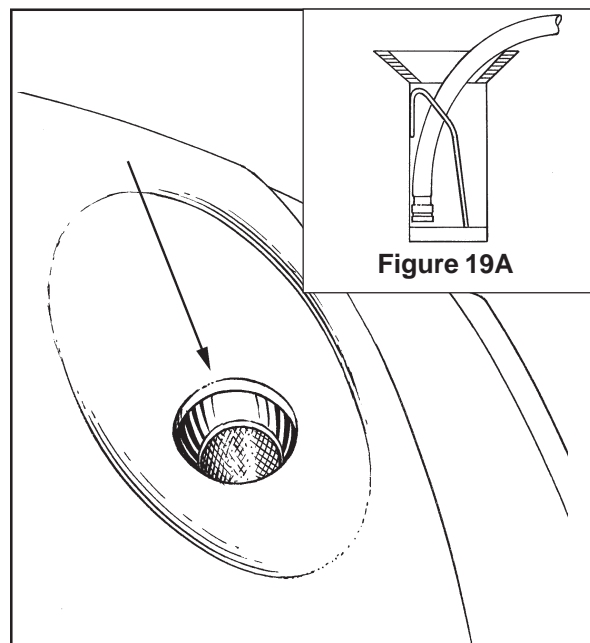


Figure 19

Mise en service de la machine

AVERTISSEMENT: Les solutions aqueuses ou les nettoyeurs utilisés avec ce type de machine peuvent laisser des zones humides sur la surface nettoyée. Ces zones constituent un danger potentiel pour l'opérateur ou pour d'autres personnes. Placez toujours des panneaux " ATTENTION " sur le pourtour de l'espace que vous nettoyez.

AVERTISSEMENT: Les machines peuvent provoquer l'inflammation de certains matériaux et vapeurs. Ne pas utiliser la machine avec ou près de produits inflammables comme l'essence, les grains de poussière, les solvants et les diluants. N'utilisez pas d'autre nettoyant que celui recommandé par le fabricant.

AVERTISSEMENT: Clarke Technology recommande de ne pas utiliser une eau dont la température dépasse 49 °C.



Figure 21

Fonctionnement de la machine


REMARQUE : Réglez la machine sur la vitesse minimale. Utilisez-la dans une zone dépourvue de meubles ou d'objets jusqu'à ce que vous puissiez effectuer les mouvements suivants :

1. Faire avancer la machine en ligne droite, en marche avant puis en marche arrière.
2. Arrêter la machine de façon sécuritaire.
3. Faire tourner la machine vers la gauche, puis vers la droite et reprendre une direction en ligne droite

Pour faire avancer la machine, procédez comme suit :

1. Si la machine est équipée d'un frein de stationnement, desserrez-le.
2. Mettez l'interrupteur principal à clé en position "I" (marche).
3. Relevez la brosse.
4. Relevez le suceur.
5. Lorsque l'un des interrupteurs gauche ou droit AV/AR (figure 21, A) est enclenché, la machine se déplace vers l'avant.
6. Appuyez sur le bouton de la vitesse de traction (figure 21, C) pour contrôler la vitesse.
7. Pour arrêter, relâchez la pression exercée sur le bouton AV/AR.
8. Pour faire reculer la machine, appuyez sur le bouton de marche arrière blanc à gauche et à droite (figure 21, B) en même temps que vous appuyez sur l'un des boutons droit ou gauche de marche AV/AR (figure 21, A).
9. Pour arrêter la machine, relâchez la pression exercée sur le bouton de marche AV/AR.
10. Pour tourner la machine, poussez l'arrière de la machine d'un côté.
11. Lorsque vous n'utilisez pas la machine, placez l'interrupteur principal à clé sur "O" (arrêt) et engagez le frein de stationnement, si la machine en possède un.

Mise en service de la machine (suite)**Conseils pour le nettoyage**

 **AVERTISSEMENT** : Les solutions aqueuses ou les nettoyeurs utilisés avec ce type de machine peuvent laisser des zones humides sur la surface nettoyée. Ces zones constituent un danger potentiel pour l'opérateur ou pour d'autres personnes. Placez toujours des panneaux " ATTENTION " sur le pourtour de l'espace que vous nettoyez.

Pour nettoyer un sol, procédez comme suit :

1. Si la machine est équipée d'un frein de stationnement, engagez-le.
2. Remplissez le réservoir de solution avec l'eau et la quantité adéquate de nettoyeur.
3. Desserrez le frein de stationnement (le cas échéant).
4. Mettez l'interrupteur à clé sur "I" (marche).
5. Abaissez le suceur.
6. Abaissez le commande de la brosse.
7. Tournez le bouton de réglage de la solution vers la droite pour régler le débit selon la nature du travail.
8. Déplacez la machine en marche avant sur toute la longueur de la surface.
9. Puis effectuez un virage à 180°.

REMARQUE : Les bandes de nettoyage doivent se chevaucher d'au moins 5 cm.

REMARQUE : Pour la plupart des travaux, l'application de la solution et l'aspiration de l'eau sale se feront en un seul passage.

Nettoyage d'un sol très sale

Pour nettoyer une surface très sale, procédez comme suit :

1. Appliquez la solution de nettoyage.
2. N'abaissez pas le suceur. Le moteur d'aspiration ne se mettra pas en marche.
3. Abaissez la brosse ou le disque et récuriez le sol.
4. Repassez au même endroit en appliquant la solution de nettoyage et en abaissant le suceur.
5. Aspirez toute l'eau sale avec le suceur.

Entretien

⚠ AVERTISSEMENT : Les réparations et les opérations d'entretien doivent toujours être effectuées par des techniciens agréés.

⚠ AVERTISSEMENT : Vidangez toujours les deux réservoirs (solution et récupération) avant de commencer un entretien ou d'entreprendre une réparation.

⚠ AVERTISSEMENT : Toutes les fixations doivent être bien serrées.

Entretiens à effectuer chaque jour

Veillez à la propreté de la machine, vous éviterez des réparations et vous lui assurerez une plus longue durée de vie utile.

Tâches de début de travail

1. Mettez l'interrupteur à clé à l'arrêt.
2. Débranchez la fiche d'alimentation du chargeur de batterie (suivez les instructions du chargeur).
3. Débranchez la fiche du chargeur de batterie du connecteur de batterie en cas d'utilisation d'un chargeur à distance.
4. Branchez le connecteur des batteries au connecteur de câble du panneau de commande (chargeur à distance uniquement). Voir la figure 22.
5. Vérifiez que le filtre du tamis qui protège le moteur d'aspiration est propre et correctement placé (voir figure 23).
6. Vérifiez que le couvercle du réservoir de récupération est correctement positionné (voir figure 24).
7. Vérifiez que la vanne du flexible de vidange est propre et refermez-la soigneusement.
8. Vérifiez que le brosse ou le tampon est en position et correctement installé.
9. Vérifiez le positionnement du suceur et du flexible du suceur.
10. Assurez-vous que l'indicateur de niveau/de drainage de la solution est bien fixé sur le support de rangement à l'arrière de la machine.

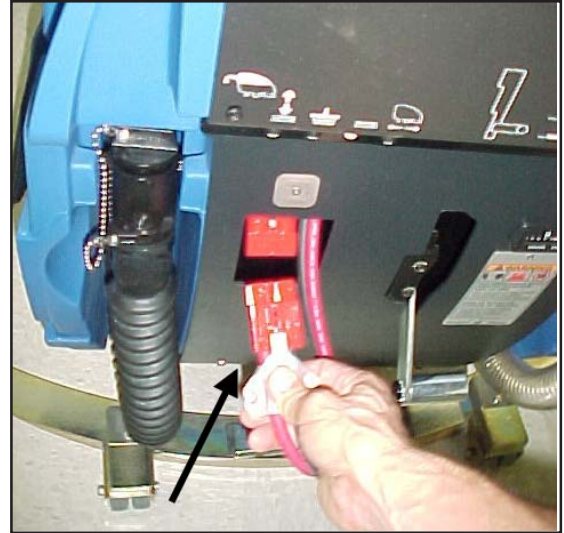


Figure 22



Figure 23



Figure 24

Entretien

Tâches de fin de travail

1. Vidangez le réservoir de solution (figure 25) et le réservoir de récupération (figure 26). Pour vidanger les réservoirs, procédez comme suit :
 - a. Mettez la clé de l'interrupteur principal sur "O" (arrêt).
 - b. Dégagez le flexible de son logement à l'arrière de la machine.
 - c. Placez l'extrémité du tuyau dans un seau ou une bouche d'évacuation.
 - d. *Réservoir de récupération :*
 - 1.) Tournez la vanne vers la gauche pour dégager l'ouverture de drainage (figure 27).

REMARQUE : Veillez à ce que l'orifice latéral de la vanne ne soit pas dirigé vers vous.

- 2.) Pour ouvrir la vanne de vidange complètement, tournez le bouchon vers la droite et retirez-le. Voir figure 28.

Réservoir de solution :

Quand le flexible est abaissé jusqu'au niveau de l'eau, l'eau va s'écouler.

2. Rincez les réservoirs en versant de l'eau propre par l'ouverture située sur le dessus du réservoir.
3. Si un flexible de réservoir ou de vidange est obstrué, utilisez un jet d'eau à haute pression pour le libérer, en introduisant celui-ci dans le flexible.
4. Laissez les réservoirs et les vannes de vidange ouverts pour qu'ils puissent sécher à l'air.
5. Vérifiez la lame du suceur. Nettoyez-la avec un chiffon propre. Si la lame est endommagée ou usée, retournez-la ou placez une nouvelle lame.
6. Vérifiez et nettoyez le joint du couvercle du réservoir de solution. Utilisez une solution à faible concentration de détergent et rincez les pièces à l'eau claire.

Vérifiez les batteries et ajoutez de l'eau distillée si nécessaire après les avoir chargées. Le niveau correct est de 6 mm par rapport au fond du tube dans chaque cellule.

⚠ ATTENTION : L'eau du robinet peut contenir des agents nocifs pour les batteries. Utilisez uniquement de L'EAU DISTILLÉE pour remplir les batteries.

⚠ AVERTISSEMENT : Les batteries acide/plomb peuvent produire des gaz explosifs. NE PAS FUMER. Portez toujours des lunettes et vêtements de protection lorsque vous travaillez près de / aux batteries.

Essuyez la machine avec un chiffon propre.

Chargez les batteries. Suivez les instructions de ce manuel au paragraphe consacré à ce sujet.



Figure 25



Figure 26

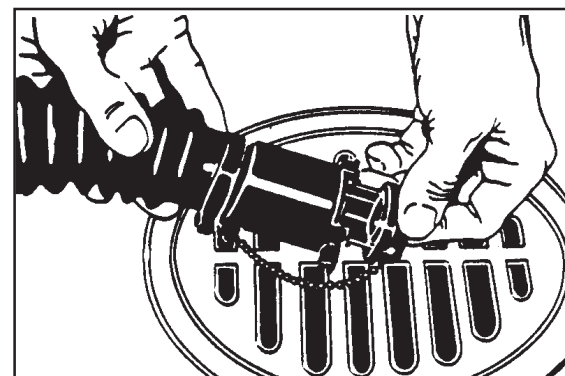


Figure 27

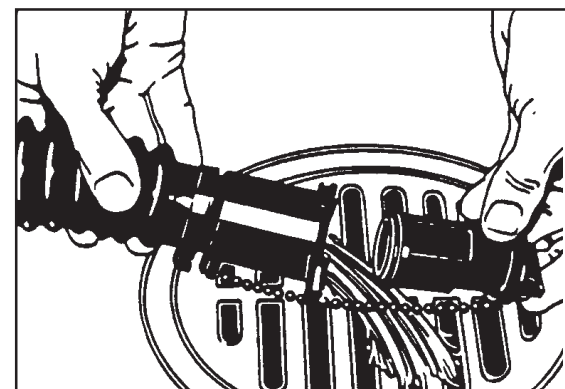


Figure 28

Entretien

Tâches hebdomadaires

⚠ AVERTISSEMENT : Seul un personnel qualifié doit effectuer les réparations et l'entretien de nos machines. Vidangez toujours le réservoir de solution et le réservoir de récupération avant toute opération d'entretien. Veillez à ce que les fixations soient toujours bien serrées.

⚠ AVERTISSEMENT : Portez toujours des lunettes et vêtements de protection lorsque vous travaillez près des batteries. N'insérez pas d'outil ou d'autres objets métalliques entre les bornes ou sur les batteries.

⚠ ATTENTION : Pour éviter d'endommager la machine et pour ne pas que les batteries se déchargent, le niveau d'électrolyte ne doit jamais dépasser le fond du tube de chaque cellule. Essuyez tout débordement d'acide sur la machine ou les batteries. Ne jamais ajouter d'acide dans les batteries après qu'elles aient été installées.

REMARQUE : Toujours mettre l'interrupteur à clé à l'arrêt avant toute opération d'entretien.

⚠ AVERTISSEMENT : Portez toujours des lunettes et vêtements de protection lorsque vous travaillez sur/près des batteries. **NE FUMEZ PAS !**

1. Pour vérifier les batteries, faites basculer le réservoir de récupération jusqu'à ce qu'il soit verrouillé en position complètement ouverte. Voir figure 29A. Pour fermer le réservoir, tirez sur le bras de verrouillage puis abaissez lentement le réservoir jusqu'à la position fermée.

⚠ ATTENTION : Avant de soulever le réservoir, assurez-vous qu'il est vide.

REMARQUE : Il existe une position intermédiaire pour maintenir le réservoir de récupération ouvert pour pouvoir recharger les batteries. Voir figure 29B.

⚠ AVERTISSEMENT : Ne pas effectuer un entretien quelconque sur la machine alors que le réservoir de récupération est en position intermédiaire. Le réservoir pourrait être cogné et se refermer accidentellement.

2. Déconnectez les batteries. Utilisez une solution d'ammoniaque ou de bicarbonate de soude pour essuyer le dessus des batteries. Nettoyez les bornes. Reconnectez les batteries.
3. Vérifiez que les flexibles ne sont pas perforés, obstrués ou endommagés.
4. Graissez la roulette avec une pompe à graisse (voir figure 30).



Figure 29A



Figure 29B

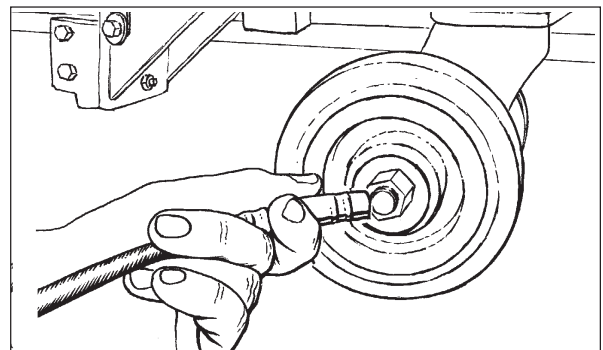


Figure 30

Entretien

Entretien du suceur

Pour déposer le suceur, procédez comme suit :

1. Desserrez les deux manettes de fixation de l'ensemble du suceur puis déposez celui-ci. Voir figure 31.
2. Vérifiez l'état de la lame.
3. Si la lame est usée, retournez-la pour placer un nouveau bord en position de travail.
4. Remplacez l'ensemble du suceur sur la machine.

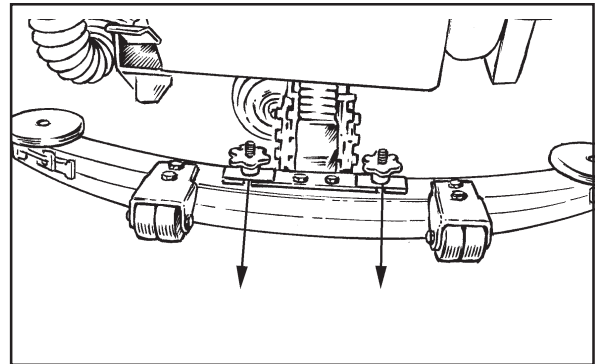


Figure 31

Réglage du suceur

Les réglages suivants sont effectués en usine mais il peut être nécessaire de procéder à quelques légers réajustements.

Réglage de l'inclinaison du suceur :

Le réglage permet de relever la lame arrière soit au centre, soit à ses extrémités. Reportez-vous à la figure 32. Desserrez les boulons indiqués par la lettre 'X', à gauche et à droite. Pour abaisser la lame en son centre, faire pivoter la pièce 'Y' vers le bas. Pour relever les extrémités de la lame, faire pivoter la pièce 'Y' vers le haut. Ces réglages sont des réglages fins, procédez lentement jusqu'à ce que vous obteniez un évasement uniforme.

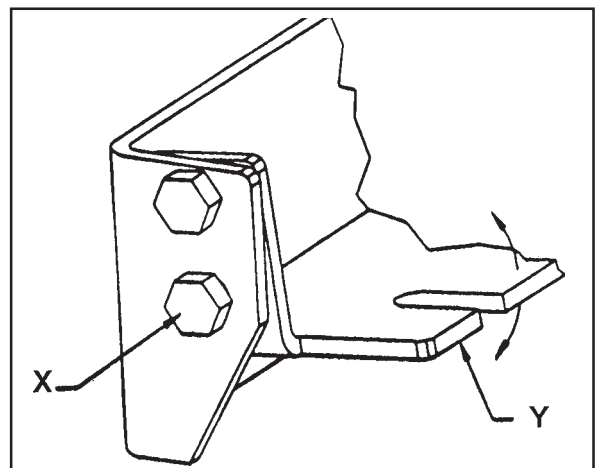


Figure 32

Réglage des lames du suceur :

Lors d'une installation correcte, la lame avant doit se trouver à environ 1,5 mm au-dessus de la lame arrière. Voir figure 33.

⚠ AVERTISSEMENT : L'entretien et les réparations doivent toujours être effectués par des techniciens agréés.

⚠ AVERTISSEMENT : Les réparations électriques doivent toujours être effectuées par des techniciens agréés.

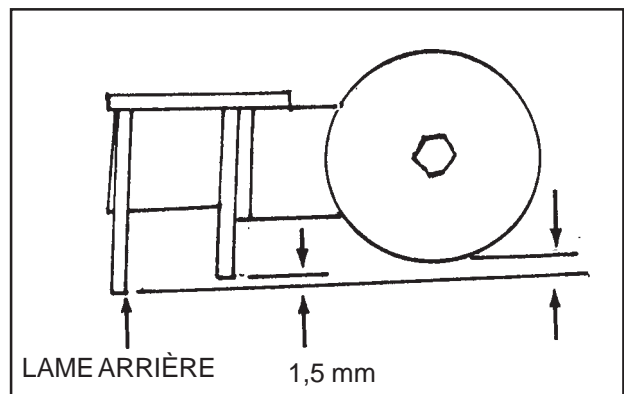


Figure 33

Entretien (suite)

Consultez votre technicien agréé Clarke Technology pour faire effectuer les opérations d'entretien.

N'utilisez que des pièces Clarke Technology.

Centrage ou excentrage de la tête de brosse

La tête de brosse du modèle Encore 2426 peut être centrée ou excentrée de 2,5 cm du côté droit de la machine. Pour effectuer un centrage ou excentrage, procédez comme suit :

Outils recommandés : Clé à ouverture de 9,5 mm, une rallonge de 7,6 cm et une douille de 1,4 cm.

⚠ ATTENTION : Avant de décaler la tête de brosse, vérifiez que le réservoir de récupération est vide.

1. Mettez l'interrupteur à clé sur "I" (marche).
2. Relevez la commande de la brosse.
3. Mettez l'interrupteur à clé sur "O" (arrêt) et retirez la clé.
4. Inclinez le réservoir de récupération vers le haut jusqu'à ce qu'il soit verrouillé en position complètement ouverte.
5. Allez à l'avant de la machine, déverrouillez le capot frontal et ouvrez-le.
6. Repérez les quatre rivets sur le support de la tête de brosse. Voir figure 34. Les deux écrous supérieurs peuvent être accédés par la partie supérieure du réservoir de la solution. Les deux écrous inférieurs peuvent être accédés par l'avant. Desserrer les quatre écrous en effectuant 2 à 3 tours dans le sens antihoraire. REMARQUE : Ne pas retirer les écrous.
7. L'ensemble tête de brosse peut glisser vers la droite de 2,5 cm ou être placé au centre. Faites glisser la tête de la brosse jusqu'aux extrémités des fentes pour obtenir la position désirée. Ceci permettra à la tête de se déplacer vers le haut ou vers le bas.
8. Après avoir repositionné la tête de brosse, serrer les écrous à raison de 6 m/l.
9. Fermez le capot frontal.
10. Fermez le réservoir de récupération.

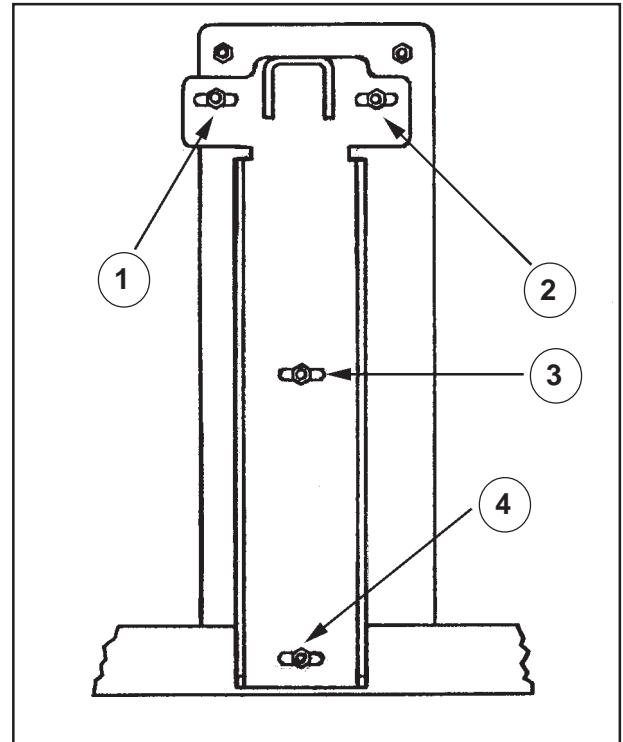


Figure 34

Ces procédures de maintenance doivent être réalisées tous les six mois :

Contactez un Centre de Maintenance agréé de Clarke pour effectuer cette procédure semestrielle.

1. Vérifier les balais de carbone des moteurs électriques.
2. Nettoyer les bornes et les connecteurs de batterie. Vérifier le serrage correct de toutes les connexions des batteries.
3. Vérifier l'ensemble des commutateurs, commandes, vannes, flexibles et joints.
4. Vérifier et enlever les débris des moyeux de la transaxle.
5. Remplacer les isolants en caoutchouc (voir réf. #24 dans la section Liste des Pièces du Groupe de Tête de Brossage). Les isolants en caoutchouc sont considérés comme des éléments d'usure et doivent être remplacés tous les six mois.
6. Remplacer les supports en caoutchouc (voir réf. #55 dans la section Liste des Pièces du Groupe de Tête de Brossage). Les supports en caoutchouc sont considérés comme des éléments d'usure et doivent être remplacés tous les six mois.

Accessoires

ACCESSOIRES

Description	Pièce
Kit de système de rallonge	10150A
Kit d'entretien Clarke Technology	14607A
Ensemble du suceur (99 cm)	11054K
Produit de protection pour le Polydur	50478A
Kit de pompe à graisse	55420A
Kit d'arrêt automatique d'alimentation insuffisante	14097A
Kit de frein	10072A
Sac d'accessoires	30070A
Kit de l'horamètre	10656A
Ensemble de roulette souple	51092A
Kit, Remplissage de solution	10177A
ESP Recycle System	10663A

Brosses et tampons :

Taille	Description	Pièce
14" x 28"	Rouges (pack de 5)	997001
14" x 28"	Noirs (pack de 5)	997000
14" x 28"	Blancs (pack de 5)	997002
14" x 28"	Bleus (pack de 5)	997006

Lames pour suceur :

Description	Ensemble 81 cm
Lame arrière, caoutchouc	30069A
Lame arrière, nitrile plein	30082A
Lame arrière, nervurée orange	30086A
Lame avant, nervurée naturelle	30091A
Lame avant, coulis fendu	30080A
Lame avant, nervurée orange	30084A

PROBLÈMES ET SOLUTIONS PROPOSÉES

PROBLÈME	CAUSE	SOLUTION
La solution ne s'écoule pas.	<p>Le réservoir de solution est vide.</p> <p>La vanne de la solution est fermée.</p> <p>Le filtre ou le flexible est bouché.</p> <p>La vanne de la solution ou le circuit électrique sont endommagés</p> <p>Le module de la solution est défectueux.</p>	<p>Remplir le réservoir.</p> <p>Ouvrir la vanne.</p> <p>Déboucher le flexible ou décolmater le filtre.</p> <p>Réparer ou remplacer la vanne et le circuit électrique.</p> <p>Remplacer le module.</p>
Le flux de solution ne s'arrête pas.	<p>La vanne de la solution est ouverte.</p> <p>La vanne de la solution ou le circuit électrique sont endommagés.</p> <p>La vanne de la solution est encrassée.</p> <p>Le clapet et l'écrou de la vanne sont endommagés.</p> <p>Le module de la solution est défectueux.</p>	<p>Refermer ou nettoyer la vanne de la solution.</p> <p>Réparer ou remplacer la vanne et le circuit électrique.</p> <p>Nettoyer la vanne.</p> <p>Remplacer le clapet et l'écrou.</p> <p>Remplacer le module.</p>
La machine n'aspire pas toute l'eau du sol.	<p>Le suceur est relevé.</p> <p>L'inclinaison du suceur n'est pas correcte.</p> <p>Le réservoir de récupération est plein.</p> <p>Le filtre du tamis est encrassé.</p> <p>Le suceur, le flexible du suceur et le tuyau sont bouchés ou endommagés.</p> <p>Le moteur d'aspiration ne fonctionne pas.</p> <p>Le flexible du suceur est déconnecté ou endommagé.</p> <p>La lame du suceur est endommagée, usée ou placée de façon incorrecte.</p> <p>Les joints du couvercle du réservoir de récupération sont endommagés.</p>	<p>Abaisser le suceur.</p> <p>Voir figure 11 p. 23.</p> <p>Vidanger le réservoir.</p> <p>Nettoyer le filtre.</p> <p>Déboucher ou réparer les dégâts.</p> <p>Vérifier que le thermique n'a pas déclenché. Faites effectuer les réparations par un technicien qualifié.</p> <p>Vérifiez et remplacez le flexible.</p> <p>Retournez la lame ou remplacez-la. Remplacez la lame correctement.</p> <p>Remplacez les joints.</p>
Les batteries se déchargent prématurément.	<p>Les bornes sont encrassées ou endommagées.</p> <p>Le niveau d'acide est trop bas.</p> <p>Les batteries n'ont pas été correctement chargées.</p> <p>Le chargeur est endommagé.</p> <p>Les batteries sont défectueuses.</p> <p>Les batteries sont déconnectées.</p> <p>La brosse est réglée en permanence sur récurage (" heavy scrub ").</p>	<p>Nettoyez les bornes et les connecteurs. Remplacez les câbles endommagés. Chargez les batteries.</p> <p>Ajoutez de l'eau distillée dans chaque cellule et rechargez les batteries.</p> <p>Chargez les batteries pendant 16 heures.</p> <p>Faites réparer le chargeur par un technicien agréé.</p> <p>Vérifiez la tension de chaque cellule en décharge.</p> <p>Connectez les batteries.</p> <p>Réglez la pression.</p>

PROBLÈME	CAUSE	SOLUTION
<p>Le nettoyage n'est pas uniforme.</p>	<p>La brosse de récurage ou le disque sont usés.</p> <p>L'ensemble de la brosse, la roulette ou la vanne de solution sont endommagés.</p> <p>Le moteur de la brosse ne fonctionne pas.</p> <p>Le niveau de solution est trop bas.</p>	<p>Remplacez la brosse ou le disque.</p> <p>Faites effectuer les réparations nécessaires par un technicien qualifié.</p> <p>Vérifiez que le thermique ne s'est pas déclenché. Remettez-le à zéro. Vérifiez les connexions.</p> <p>Remplissez le réservoir de solution.</p> <p>REMARQUE: si le problème persiste, faites vérifier la machine par un technicien agréé.</p>
<p>La machine ne fonctionne pas.</p>	<p>Perte de puissance</p> <p>L'interrupteur principal à clé est sur "O" (arrêt).</p> <p>Les batteries sont débranchées. Les bornes des batteries sont encrassées.</p> <p>Les batteries sont déchargées.</p>	<p>Réinitialiser le thermique.</p> <p>Mettez la clé de l'interrupteur principal sur "I" (marche).</p> <p>Vérifiez les connexions.</p> <p>Vérifiez l'indicateur de la batterie et rechargez les.</p> <p>REMARQUE: si le problème persiste, faites vérifier la machine par un technicien agréé.</p>

Clarke[®]

BOOST[™] 28

Section II

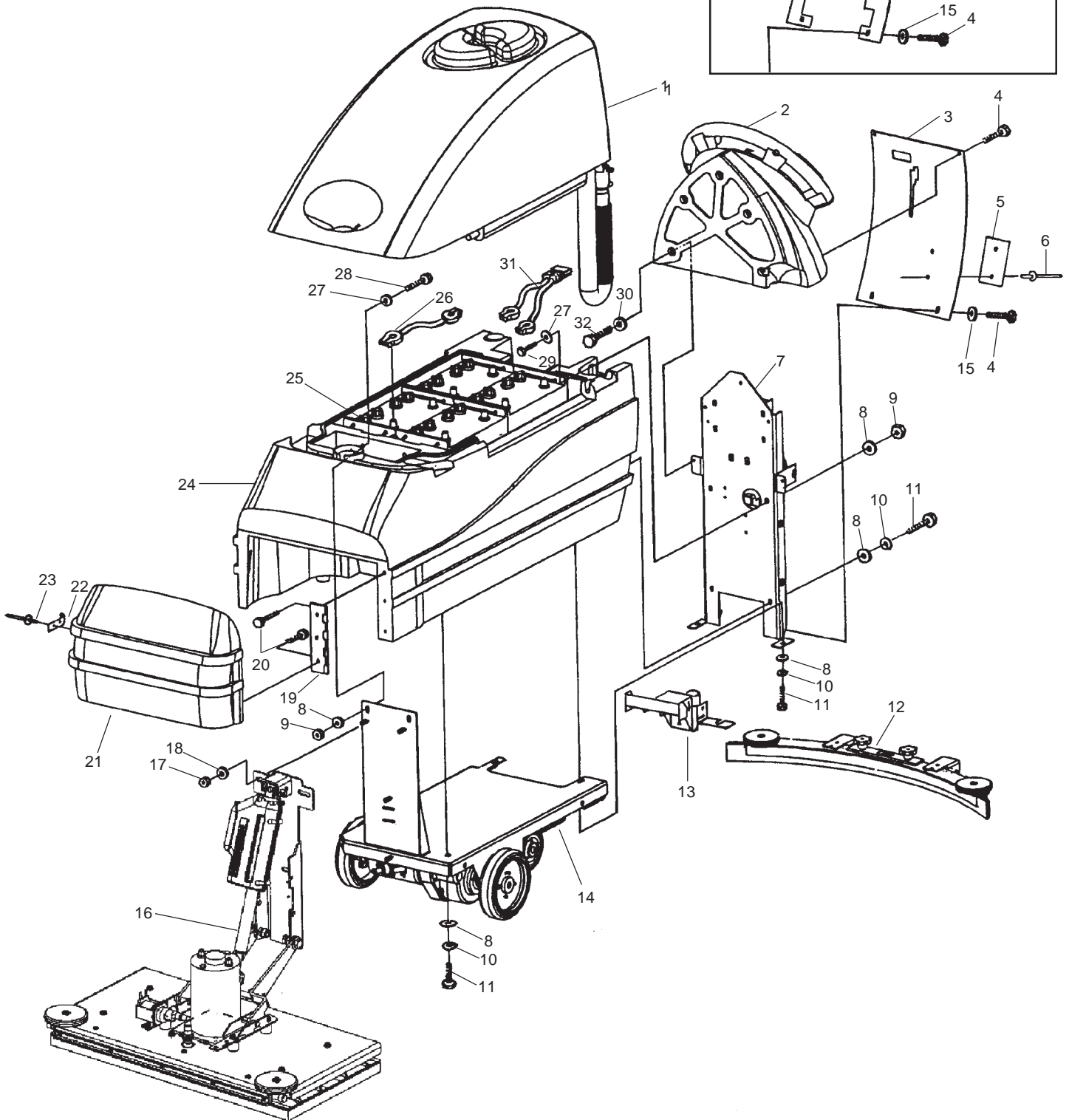
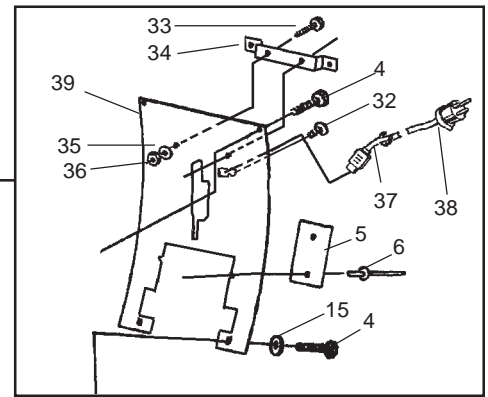
Parts and Service Manual

(71071A)

U.S. Patent No. 6,105,192; No. 6,557,207; No. 6,760,947; No. 5,383,251; and patents pending.

Clarke®
BOOST™ 28
 Final Assembly Drawing 9/05

On-Board Charger Option



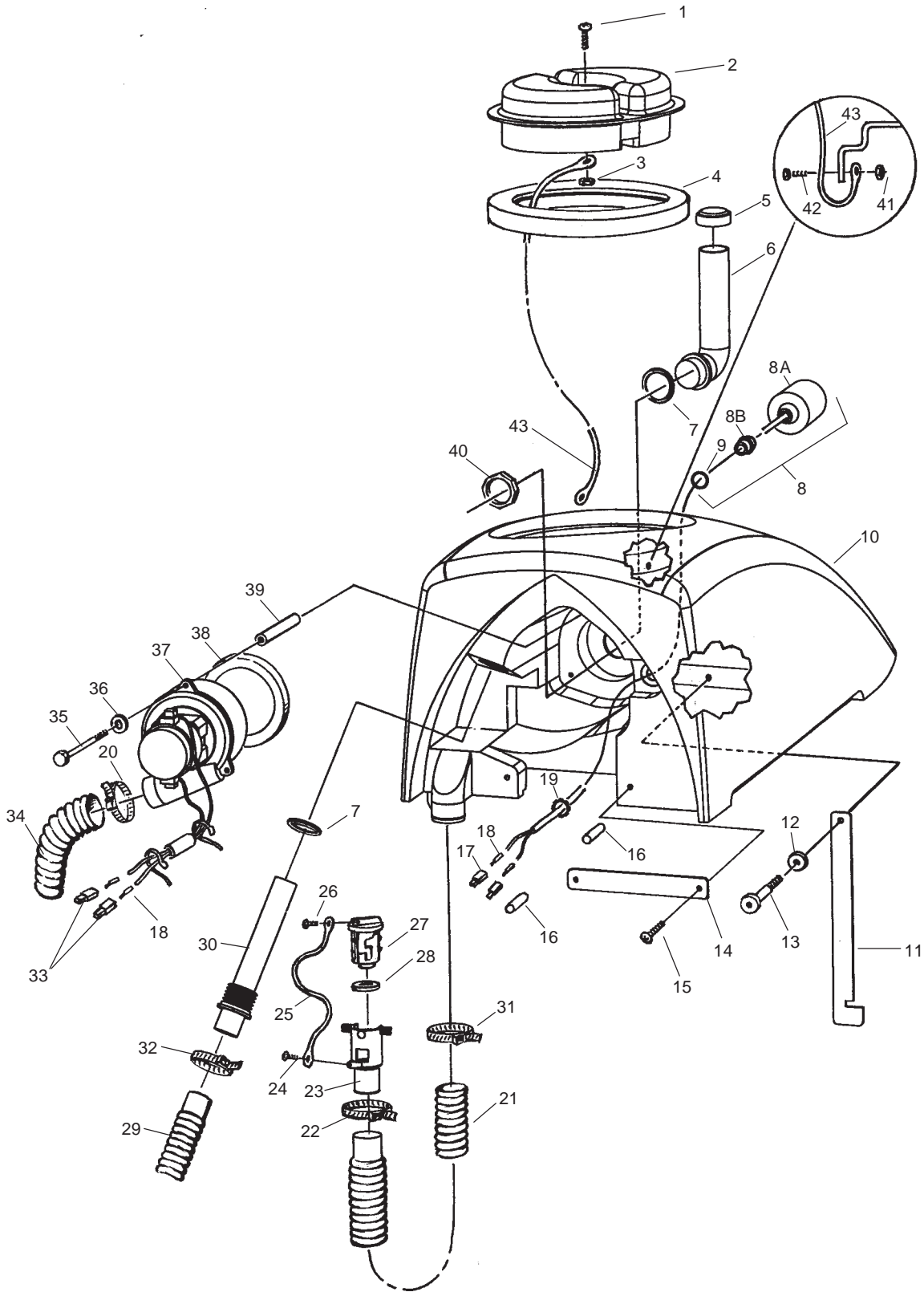
Clarke®
BOOST™ 28

Final Assembly Parts List 9/05

Ref. #	Part No.	Description	Remote Charger		On-Board Charger	
			Qty	Qty	Qty	Qty
1	Ref	Assembly, Recovery Tank	Ref	Ref		
2	Ref	Assembly, Control Panel	Ref	Ref		
3	30064A	Rear Cover	1	-		
4	80108A	Screw, 10-24 x ½ SS	4	4		
5	70080A	Plate, Warning	1	1		
6	83010A	Rivet, Pop 1/8	2	2		
7	Ref	Assembly, Rear Panel	Ref	Ref		
8	980651	Washer, 5/16 Flat	11	11		
9	920110	Nut, 5/16 -18 ESNA	4	4		
10	980652	Washer, 5/16 Lock	7	7		
11	85811A	Screw, 5/16 -18 x ¾	7	7		
12	See pg	Assembly, Squeegee 32"	Ref	Ref		
13	See pg	Assembly, Squeegee Lift	Ref	Ref		
14	See pg	Assembly, Traverse System	Ref	Ref		
15	980982	Washer #10	2	2		
16	Ref	Assembly, Brush Head	Ref	Ref		
17	81105A	Nut, 3/8-16 ESNA	4	4		
18	87031A	Washer, 3/8 Flat SS	4	4		
19	50965A	Hinge	1	1		
20	85395A	Screw, ¼-20 x ½ SS	6	6		
21	30249R	Front Cover	1	1		
22	50966A	Latch, Front Cover	Ref	Ref		
23	930090	Rivet, 5/32 x 9/16	2	2		
24	Ref	Assembly, Solution Tank	Ref	Ref		
25*	40136A	Battery 6V, 250 AH (wet - Stud Post)	4	4		
	40137A	Battery 6V, 250 AH (dry - Stud Post)	4	4		
	891384	Battery, 6V 330 AH (wet - UT Post)	4	4		
	891385	Battery, 6V 330 AH (dry - UT Post)	4	4		
26	41206A	Series Battery Cable (Taper Style)	3	3		
	41217A	Series Battery Cable (Ring Style)	3	3		
27	980205	Washer, 5/16 Fender	4	4		
28	85734A	Screw, 5/16-18 x 2	2	2		
29	85739A	Screw, 5/16-18 x 3 Hex	2	2		
30	87026A	Washer, ¼ flat SS	5	5		
31	41211A	Battery, Cable (Taper Style)	1	1		
	40174A	Battery, Cable (Ring Style)	1	1		
32	85518A	Screw, ¼-20 x ¾	5	6		
33	85391A	Screw, ¼-20 x 5/8	-	2		
34	61780A	Bracket, Cord Wrap	-	1		
35	87007A	Washer, ¼ Flat	-	2		
36	81217A	Nut, ¼-20	-	2		
37	53851A	Bushing	-	1		
38	40740A	Cord, Power	-	1		
39	30640A	Rear Cover	-	1		
NI	40512A	Battery charger	1	-		
NI	77092A	Label, Gases	1	1		
NI	77093A	Label, Falling	1	1		
NI	70226A	Label, Battery	1	1		
NI	10072A	Parking Brake Assembly	1	1		

* See page 12 for installation.

Clarke®
BOOST™ 28
 Recovery Tank Assembly Drawing 9/05

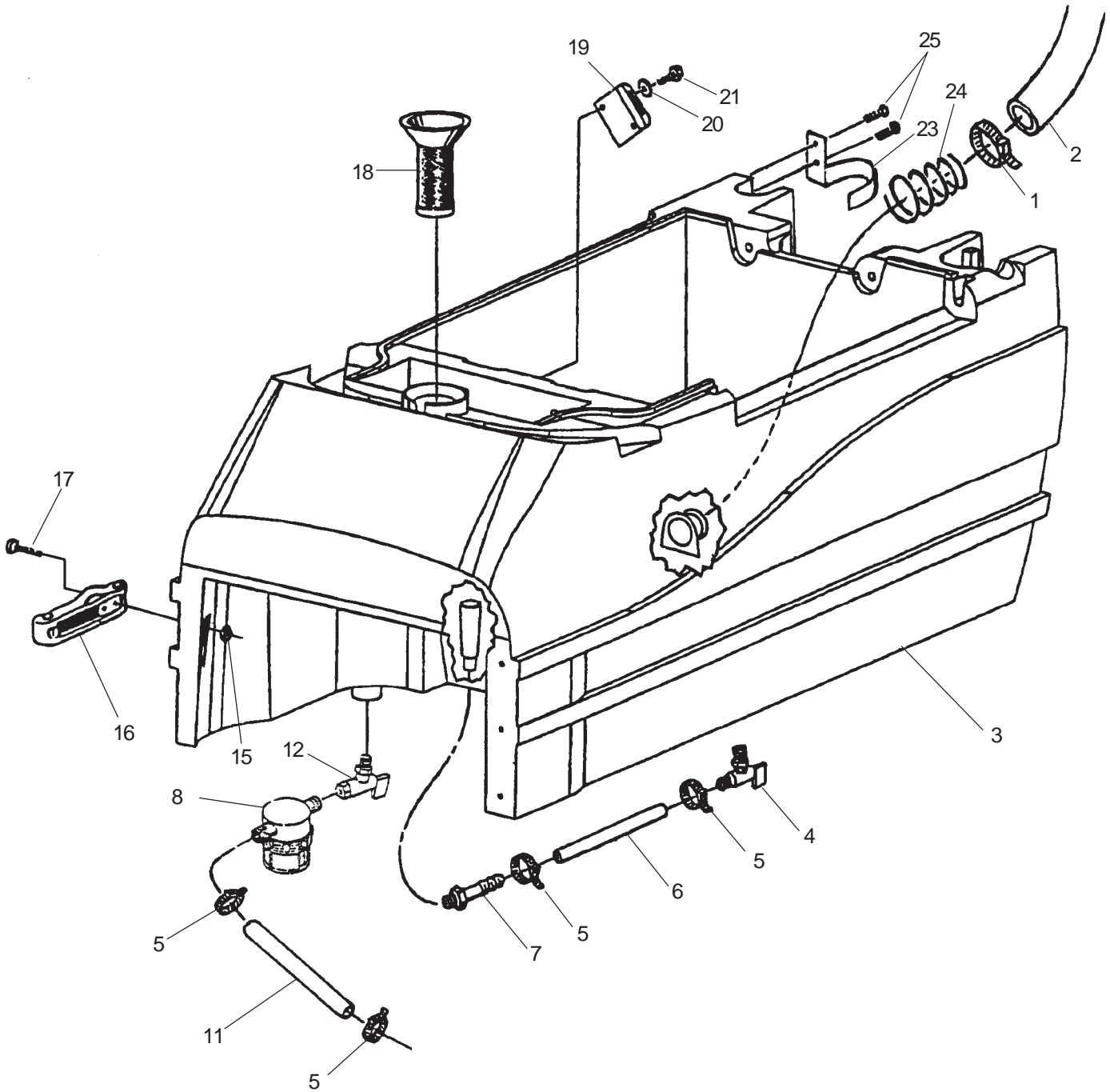


#40 Recommended Torque
 175 + or - 5 inch pounds

Clarke®
BOOST™ 28
Recovery Tank Assembly Parts List 9/05

Ref. #	Part No.	Description	Qty
1	962798	Screw, 10-24 x .5	1
2	30057A	Lid	1
3	81110A	Nut, 10-24 SS	1
4	30065A	Gasket, Lid	1
5	58069A	Strainer	1
6	39338A	Stand Tube	1
7	837304	O-Ring	2
8	10660A	Switch Kit, (Includes 8A, 8B, 9)	1
8A	40002A	Switch (included in Item 8)	1
8B	56459A	Relief, Strain (included in Item 8A)	1
9	59877A	Seal, Washer	1
10	30248A	Tank, Recovery	1
11	60373A	Latch, Recovery Tank	1
12	87622A	Washer, Nylon 5/16 x 5/8 x 1/32	1
13	80043A	Screw, .25 x 20 x .25, Shoulder	1
14	60336A	Strap, Hose Retainer	1
15	85100A	Screw, 10-32 x 1/2 SS Xylan Coating	2
16	30068A	Hinge, Pin (included w/ item 10)	2
17	43402A	Housing, Connector(included in 8A)	2
18	41809A	Contact (included in 8A)	4
19	82100A	Nut, Strain Relief Lock	1
20	872010	Clamp, Hose	1
21	35165A	Hose, Drain	1
22	832002	Clamp, Hose	1
23	839401	Valve, Drain	1
24	962943	Screw, 8-18 x 1/2 PN	1
25	52206A	Chain	1
26	962987	Screw, 10-24 x 3/8 Pan	1
27	833901	Drain, Valve Handle	1
28	833407	Gasket, Drain Valve	1
29	51060A	Hose, Squeegee	1
30	830208	Squeegee Stand Tube	1
31	80110A	Hose Clamp	1
32	752020	Hose Clamp	1
33	43401A	Housing, Vac Motor Connector	2
34	674110	Hose	1
35	85728A	Screw, 1/4-20 x 4 Hex	3
36	87026A	Washer, 1/4 Flat	3
37	51049A	Motor, Vacuum (3-Stage)	1
	51050A	Motor, Vacuum, (2-Stage Option)	1
38	643418	Gasket	1
39	58533A	Spacer	3
40	920797	Nut	1
41	962666	Screw, 10-24 x 3/4	1
42	920296	Nut, 10-24 Elastic	1
43	38020A	Strap	1
NI	839410	Valve Asm. (includes 23, 24, 25, 26, 27, 28)	1
NI	70226A	Label, Battery Installation	1

Clarke®
BOOST™ 28
Solution Tank Assembly 9/05



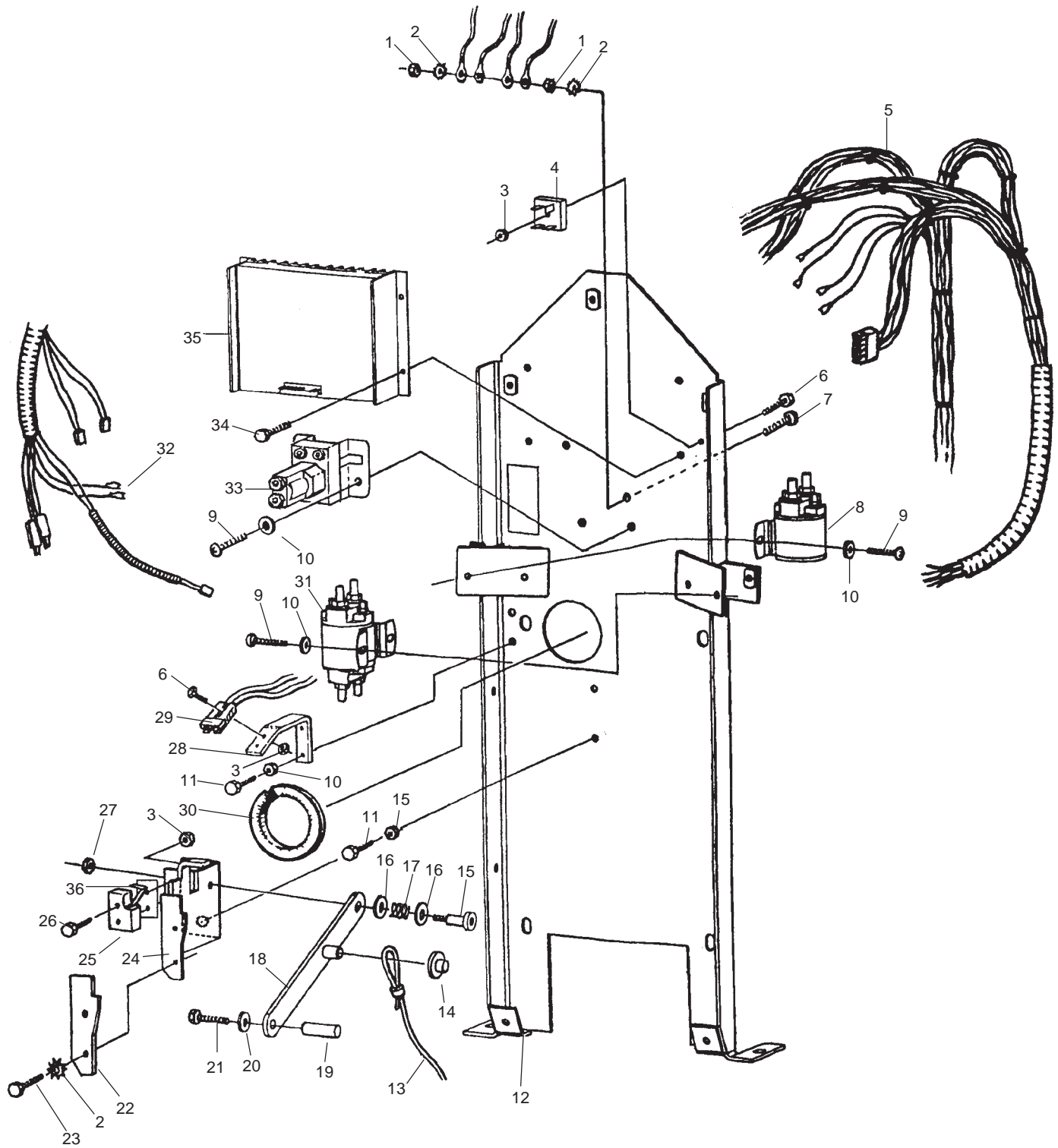
Solution Tank Assembly Parts List 9/05

Ref. #	Part No.	Description	Qty
1	872010	Clamp, Hose	1
2	50964A	Hose, Drain	1
3	30244A	Tank, Solution	1
4	59614A	Valve, Battery Drain	1
5		Hose Clamp	
6	30453A	Hose, Clear Vinyl	1
7	820207	Adapter, Hose 3/8 MPT x 1/2 Hosebarb	1
8	53562A	Filter, Bowl Asm	1
11	30446A	Hose	1
12	51204A	Valve, 3/8 NPT Shut Off	Pg. 46
13	59789A	Valve, Electric	1
15	81109A	Nut, 8-32 ESNA SS	1
16	50966A	Latch	1
17	80105A	Screw, 8-32 x 1 1/4 SS	2
18	50963B	Screen, Fill (with hose retention)	1
	51308B	Strainer (without hose retention)	1
19	69879A	Bracket, Latch	1
20	170892	Washer, Lock 1/4	2
21	170915	Screw, 1/4-20 x 3/4 SS Hex	2
23	60480A	Bracket, Hose	1
24	51346A	Spring, Hose	1
25	80108A	Screw, 10-24 x 1/2	2
NI	30162A	Funnel (included w/Kit 10177A)	1
NI	10177A	Kit, Solution Fill	1

(includes #18-51308A)(includes NI - 30162A)

53562A Components		
Clarke P/N	Description	Qty.
50081A	Bowl, Filter	1
53563A	Filter, Screen	1
53564A	Upper Body	1
54369A	Gasket, Bowl	1

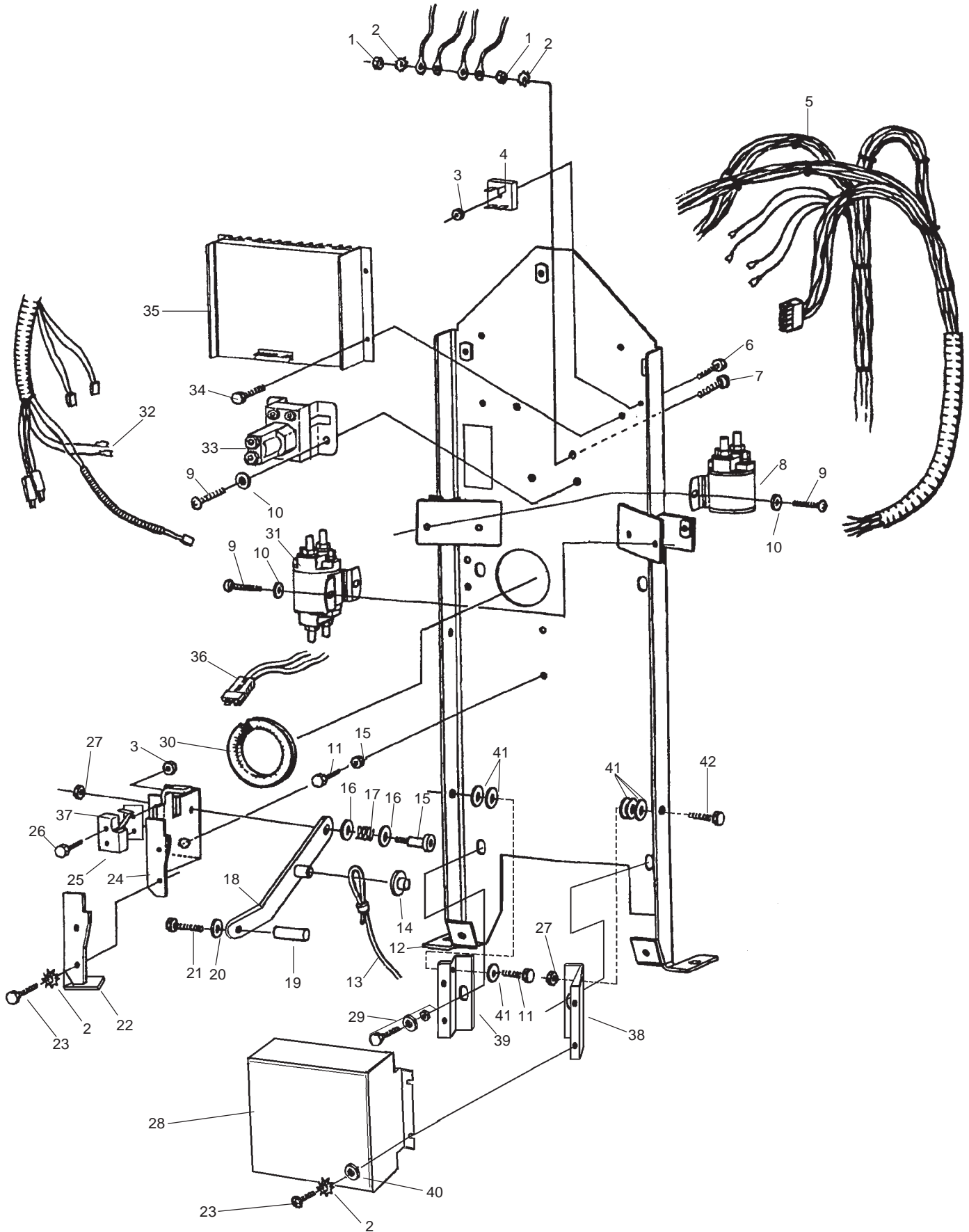
Clarke®
BOOST™ 28
Rear Panel Assembly Drawing 9/05
Remote Charger



Clarke®
BOOST™ 28
Rear Panel Assembly Parts List 9/05
Remote Charger

Ref. #	Part No.	Description	Qty
1	920224	Nut, 10-32	2
2	980603	Washer, Starlock	4
3	920056	Nut, 6-32	5
4	46106A	Rectifier	1
5	40863A	Harness, Power "L"	1
6	962212	Screw, 6-32 x 7/8	3
7	85383A	Screw, 10-32 x 3/4	1
8	41810A	Solenoid, Brush	1
9	85395A	Screw, 1/4-20 x 1/2	6
10	980614	Washer, Starlock, 1/4	10
11	85391A	Screw, 1/4-20 x 5/8	4
12	60261A	Panel, Rear Metal	1
13	60257A	Cable, Squeegee Lift	1
14	920346	Nut, Pal	1
15	80028A	Bolt, Shoulder, 5/16 x 1.0	1
16	980692	Washer, Flat 5/16 SS	2
17	438360	Spring	1
18	64901A	Lever, Squeegee Lift	1
19	64490A	Handle, Squeegee	1
20	980666	Washer, 3/8 Starlock	1
21	85389A	Screw, 3/8-16 x 5/8	1
22	68643A	Plate, Vacuum Wear	1
23	962968	Screw, 10-24 x 1/2	2
24	61260A	Plate, Squeegee Lift	1
25	47388A	Switch, Vacuum Lever	1
26	85601A	Screw, 6-32 x 1 1/4 PN	2
27	81217A	Nut, 1/4-20 x .218H Nylock	1
28	60264A	Bracket, Power Connector	1
29	41146A	Cable, Assembly Console	1
30	193951	Grommet, slotted, 8"	Ref
31	41811A	Solenoid, Main	1
32	40157A	Harness, Traverse	1
33	40169A	Solenoid, Vacuum	1
34	962798	Screw, 10-24 x 1/2	2
35	40132A	Control, Traverse	1
36	30097A	Insulator, Mylar	1
NI	77093A	Label, Falling Parts	1
NI	77092A	Label, Gases	1

Clarke®
BOOST™ 28
 Rear Panel Assembly Drawing 9/05
 On-Board Charger



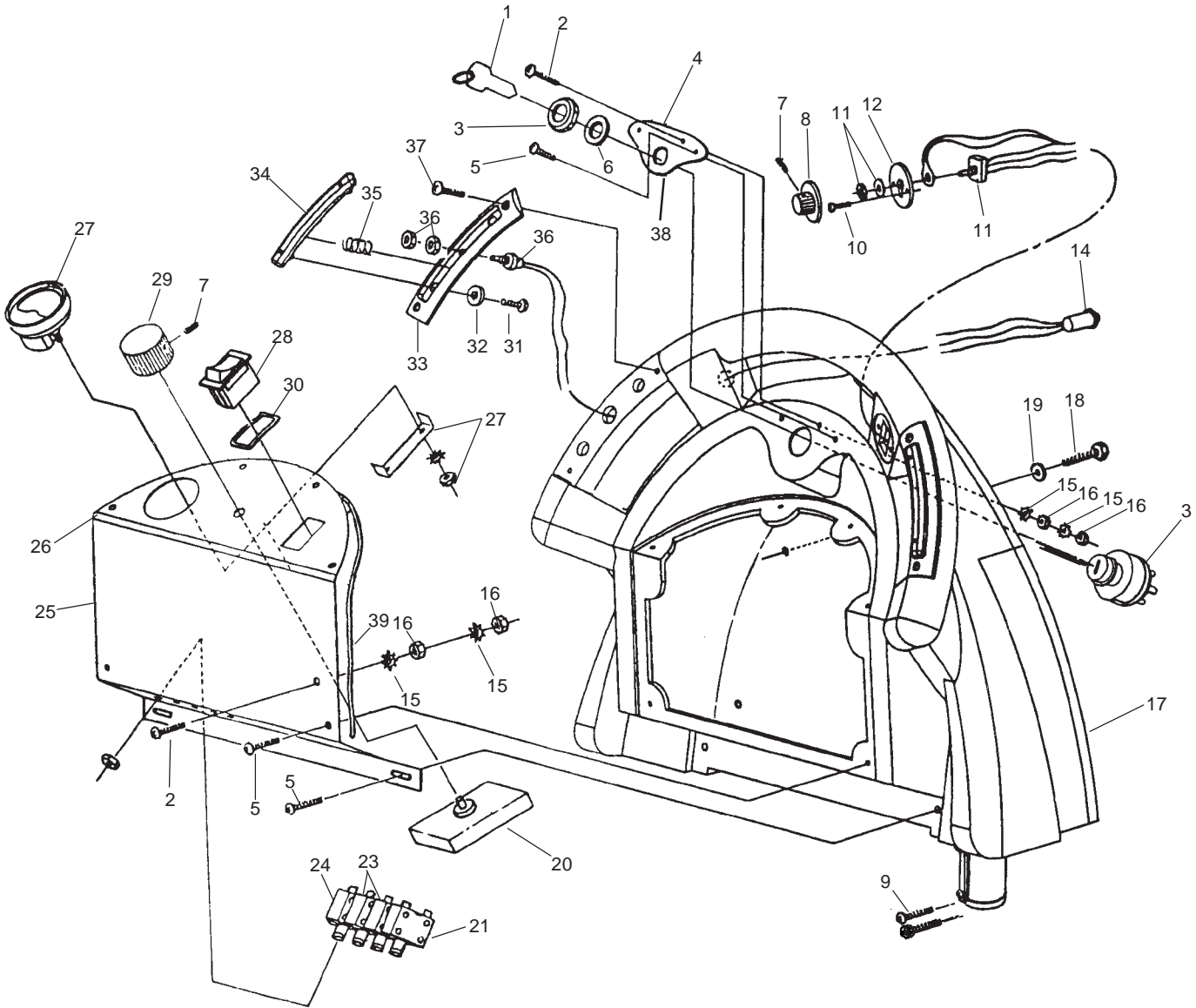
Clarke®
BOOST™ 28

Rear Panel Assembly Parts List 9/05
On-Board Charger

Ref. #	Part No.	Description	Qty
1	920224	Nut, 10-32	2
2	980603	Washer, Starlock	4
3	920056	Nut, 6-32	2
4	46106A	Rectifier	1
5	40863A	Harness, Power	1
6	962212	Screw, 6-32 x 7/8	3
7	85383A	Screw, 10-32 x 3/4	1
8	41810A	Solenoid, Brush	1
9	85395A	Screw, 1/4-20 x 1/2	6
10	980614	Washer, Starlock, 1/4	10
11	85391A	Screw, 1/4-20 x 5/8	5
12	60261A	Panel, Rear Metal	1
13	60257A	Cable, Squeegee Lift	1
14	920346	Nut, Pal	1
15	80028A	Bolt, Shoulder, 5/16 x 1.0	1
16	980692	Washer, Flat 5/16 SS	2
17	438360	Spring	1
18	61779A	Lever, Squeegee Lift	1
19	64490A	Handle, Squeegee	1
20	980666	Washer, 3/8 Starlock	1
21	85389A	Screw, 3/8-16 x 5/8	1
22	61781A	Plate, Vacuum Wear	1
23	962968	Screw, 10-24 x 1/2	6
24	61260A	Plate, Squeegee Lift	1
25	47388A	Switch, Vacuum Lever	1
26	85601A	Screw, 6-32 x 1 1/4 PN	2
27	81217A	Nut, 1/4-20 x .218H Nylock	2
28	40844A	Charger, 24V	1
29			
30	193951	Grommet, slotted, 8"	Ref
31	41811A	Solenoid, Main	1
32	40157A	Harness, Traverse	1
33	40169A	Solenoid, Vacuum	1
34	962798	Screw, 10-24 x 1/2	2
35	40132A	Control, Traverse	1
36	40779A	Cable, Battery Console	1
37	30097A	Insulator, Mylar	1
38	61778A	Bracket, Right Hand Charger Mount	1
39	61777A	Bracket, Left Hand Charger Mount	1
40	980982	Washer, #10	4
41	87007A	Washer, Flat 1/4"	6
42	85390A	Screw, 1/4 - 20 x 1 1/4	1
NI	77093A	Label, Falling Parts	1
NI	77092A	Label, Gases	1

Clarke®
BOOST™ 28

Control Panel Assembly Drawing 9/05

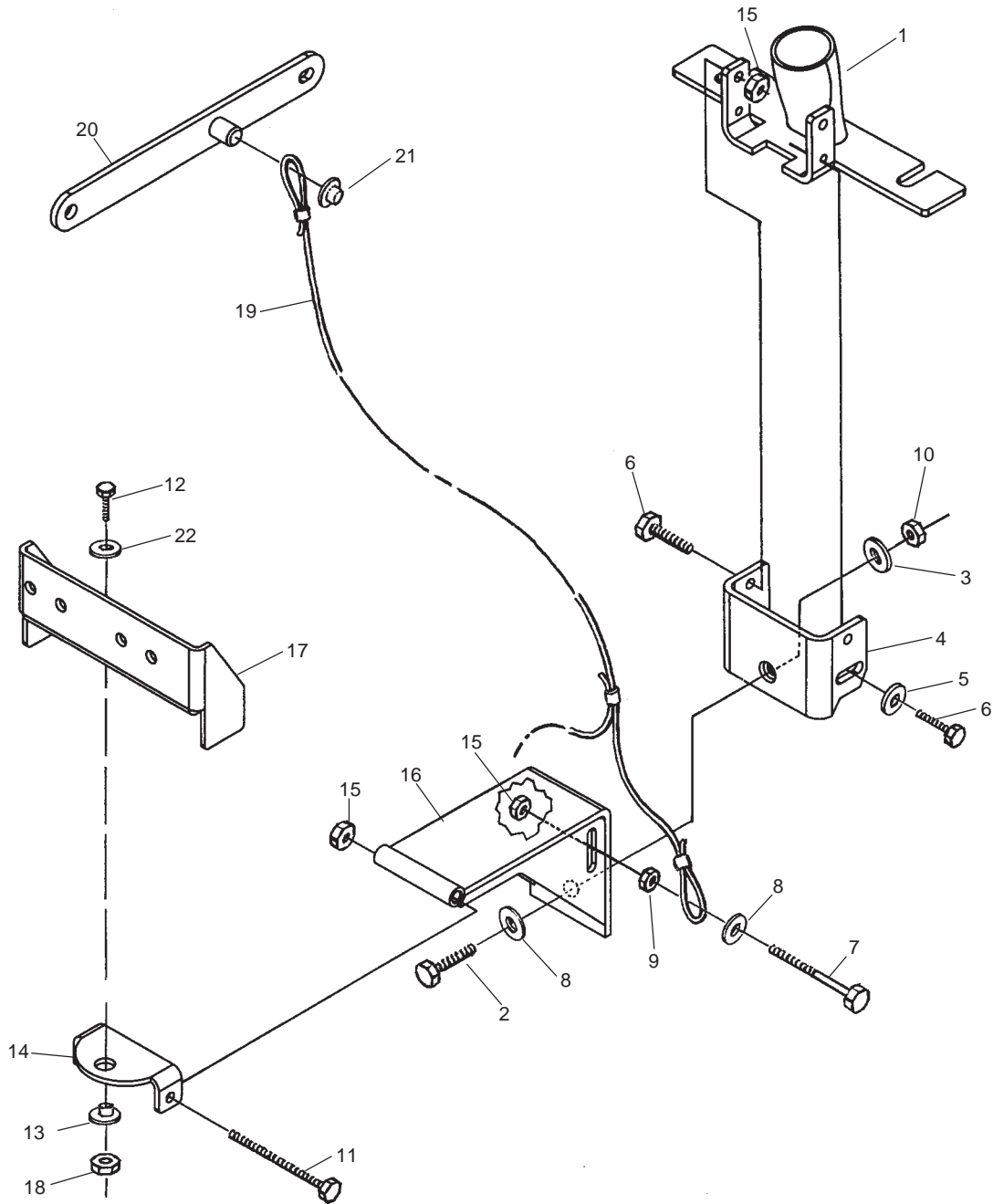


Clarke®
BOOST™ 28

Control Panel Assembly Parts List 9/05

Ref. #	Part No.	Description	Qty
1	55413A	Key (included w/Item 3)	Ref
2	84237A	Screw, 10-32 x ½	2
3	47380A	Switch, Key	1
4	60334A	Panel, Key Switch	1
5	80108A	Screw, 10-24 x ½ SS Black Xylan	8
6	87052A	Washer, Switch	1
7	962262	Screw, Set 8-32 x ½ (included in item 29)	4
8	50962A	Traverse, Control Knob	1
9	85703A	Screw, 10-00 x ½ PN	1
10	962957	Screw, 10-16	2
11	40135A	Harness, Potentiometer Assembly.	1
12	60259A	Bracket, Traverse Switch	1
13	980666	Washer, 3/8 Starlock	1
14	40158A	Switch, Reverse	1
15	980603	Washer	4
16	920224	Nut, 10-32 Hex	4
17	30072A	Control Handle	-
18	85391A	Screw, ¼-20 x ½ SS	Ref
19	87026A	Washer, ¼ SS	Ref
20	40858A	Control, Solution	1
21	41422A	Breaker, Circuit 25 Amp Traverse	1
23	41448A	Breaker, Circuit 30 Amp Vac/Brush	2
24	41423A	Breaker, Circuit 5 Amp Actuator	1
25	71078A	Label, control	1
26	61812A	Panel, Control, Metal	1
27	40217B	Meter, Battery	1
28	47381B	Switch, Brush Adjustment	1
29	55502A	Knob	1
30	30096A	Gasket, Switch	1
31	962330	Screw, 6-32 x ³⁄₈	4
32	980608	Washer	4
33	30056A	Housing, Switch & Lever	2
34	30055A	Lever, Switch	2
35	50961A	Spring, Switch	4
36	40126A	Switch, Forward/Reverse	2
37	80104A	Screw, 10-32 x ½ SS Black Xylan	4
38	70219A	Label, Key Switch	1
39	34264A	Gasket, Panel	1
NI	47708A	¼ F.I.M.Q.D.	4
NI	47712A	¼ F.I.F.Q.D.	1

Clarke®
BOOST™ 28
Squeegee Lift Assembly Drawing 9/05

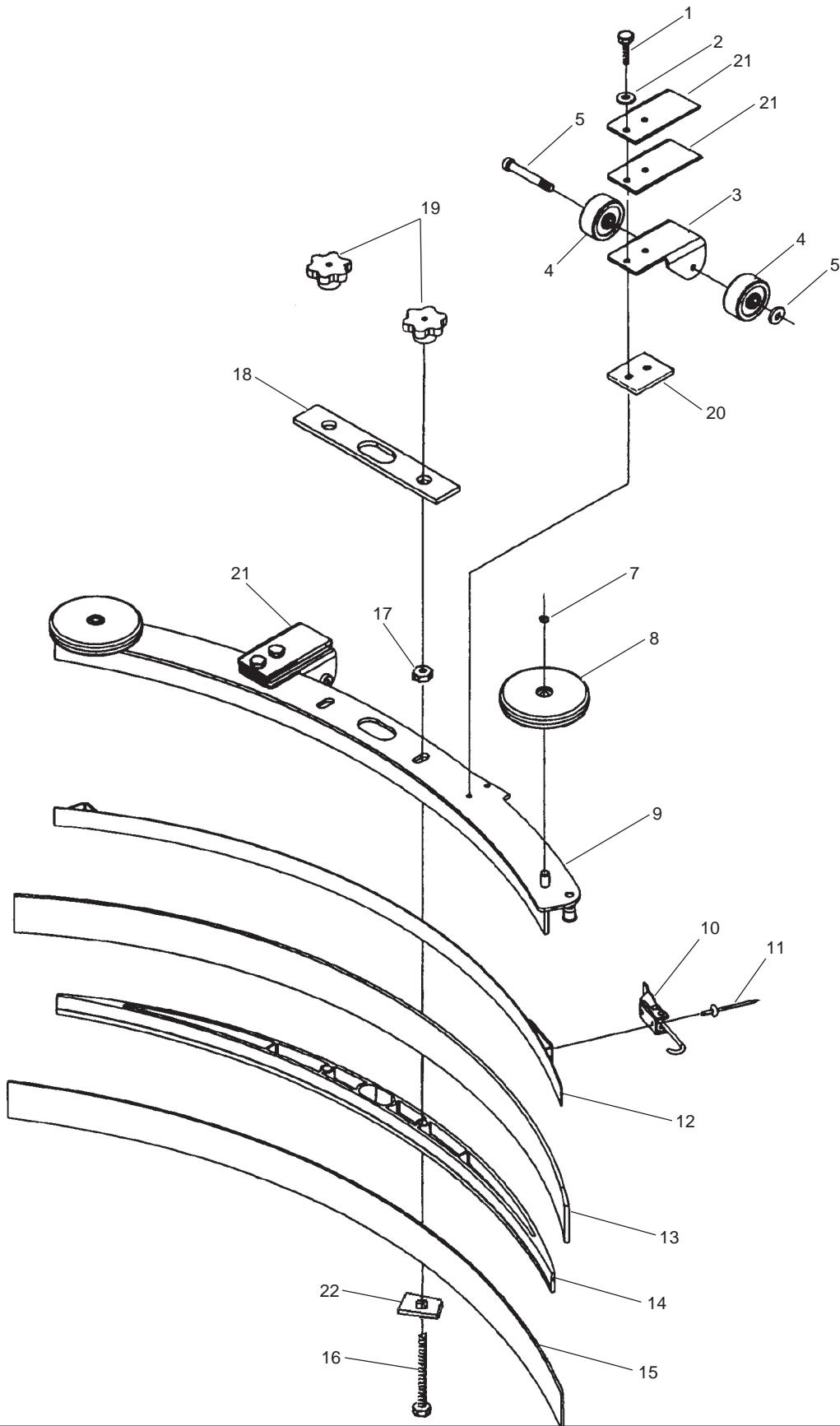


Clarke®
BOOST™ 28

Squeegee Lift Assembly Parts List 9/05

Ref. #	Part No.	Description	Qty
1	61263A	Bracket Tube	1
2	85730A	Screw, 3/8-16 x 1 ¼, Hex SS	1
3	980638	Lockwasher, 3/8 LT Spring Type	1
4	69860B	Bracket, Pin	1
5	87026A	Washer, ¼ SS	2
6	170915	Screw, ¼-20 x ¾	4
7	962481	Screw, ¼-20 x 1 ¼ Hex	2
8	87031A	Washer, 3/8 Flat	3
9	920208	Nut, ¼-20	2
10	81111A	Nut, 3/8-16 ESNA	1
11	80101A	Screw, ¼-20 x 3 ¼ SS	1
12	85811A	Screw, 5/16-18 x ¾	1
13	67867A	Nut, spacer	1
14	60256A	Squeegee, Pivot Arm	1
15	81104A	Nut, ¼ Nylock	5
16	60255A	Bracket, Squeegee	1
17	60328A	Mount, Squeegee	1
18	81112A	Nut, 5/16-18 Thin ESNA SS	1
19	Page 35	Cable, Squeegee Lift	Ref
20	Page 35	Lift Handle Assembly	Ref
21	920346	Palnut	Ref
22	980651	Washer	1

Clarke®
BOOST™ 28
Squeegee Assembly Drawing 9/05

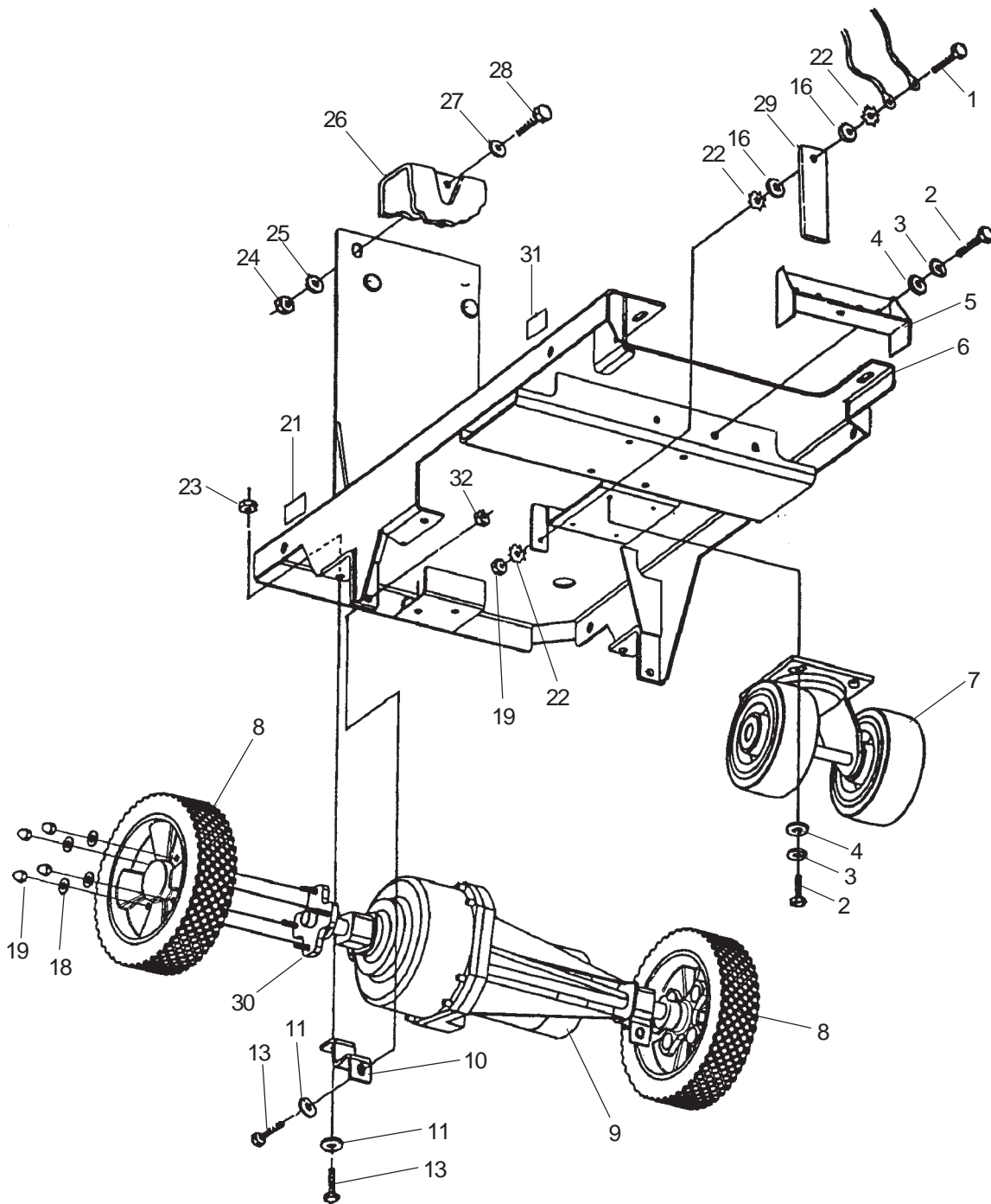


Clarke®
BOOST™ 28

Squeegee Assembly Parts List 9/05

Ref. #	Part No.	Description	Qty
1	80252A	Screw, 1/4-20 x 1 Hex SS	4
	80253A	Screw, 1/4-20 x 1 1/2 Hex SS	4
2	980657	Washer, 1/4 Lock	4
3	60243A	Bracket, Squeegee Wheel	2
4	30049B	Wheel, Squeegee	4
5	81104A	Nut, 1/4-20	2
6	60254A	Bolt, Shoulder 5/16x 2 1/4	2
7	50958A	Ring, 3/8 ID Snap	2
8	30048A	Wheel, Guide, 4 Inch Diameter	2
9	60272A	Channel, Squeegee Weldment 39"	1
10	50835A	Latch, Squeegee Clamp	1
11	930086	Rivet, 3/16 x .450 Aluminum	2
12	60252A	Strap, Clamp, Squeegee Retainer 39"	1
13	30069A	Blade, Rear, Gum Rubber, 39"	1
14	30058A	Spacer, Squeegee 39"	1
15	30091A	Blade, Front Ribbed 39"	1
16	80011A	Screw, 3/8-16 x 3	2
17	81301A	Nut, 3/8-16 Jam SS	2
18	34260B	Gasket	1
19	25201A	Knob	2
20	60358A	Shim, Squeegee Wheel	2
21	61370A	Weight	8
22	80280A	Nut, Squeegee Backup	2

Clarke®
BOOST™ 28
Frame Axle Assembly Drawing 9/05

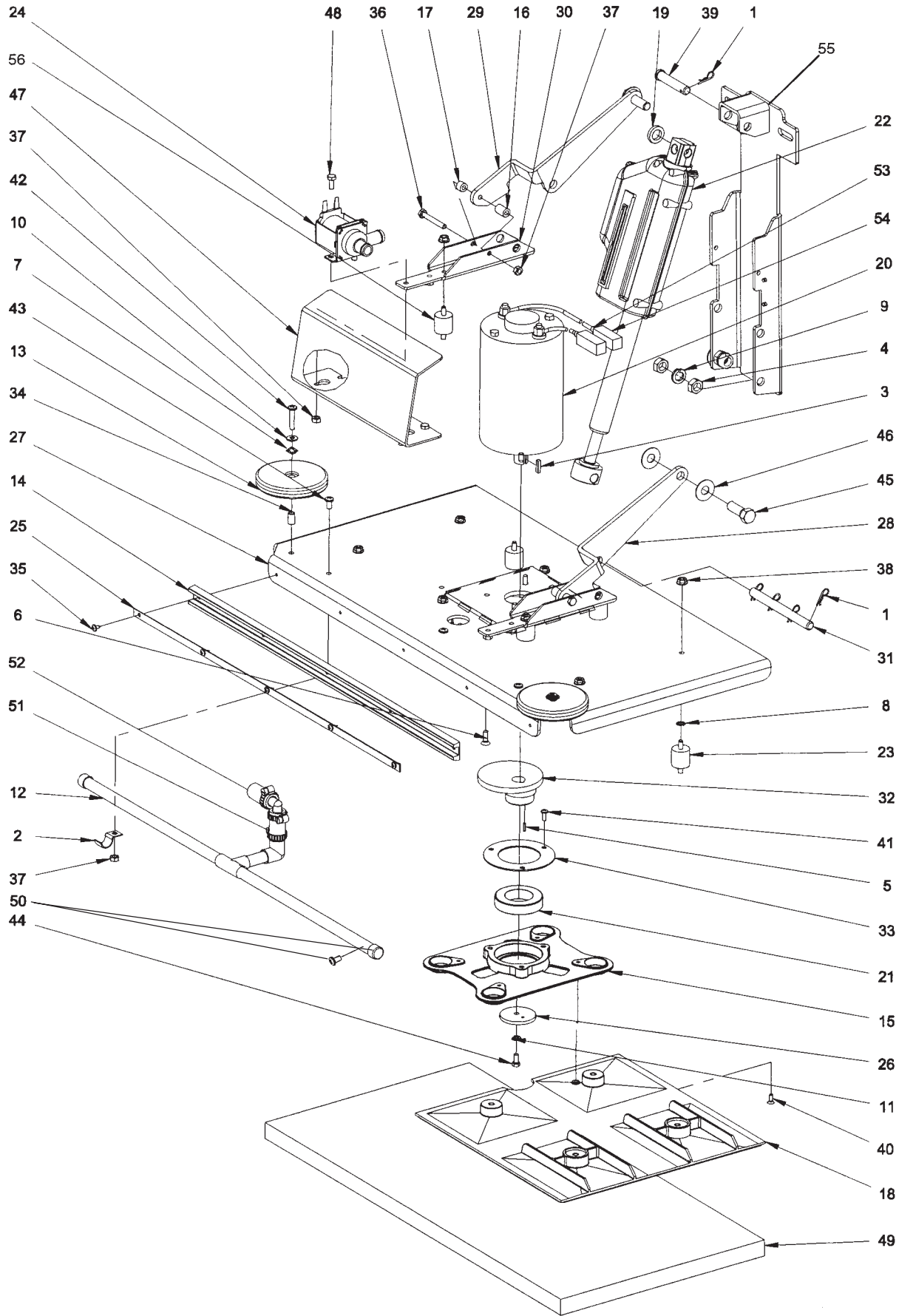


Frame Axle Assembly Parts List 9/05

Ref. #	Part No.	Description	Qty
1	85700A	Screw, ¼-20 x 1	1
2	85811A	Screw, 5/16-18 x ¾	6
3	980652	Washer, 5/16 Lock	6
4	980651	Washer, flat 5/16	6
5	60328A	Squeegee Mount	Ref
6	60260B	Frame Assembly	1
7	50968A	Caster, Assembly	1
8	61437A	Wheel Assembly	2
9	50967A	Transaxle w/mounting hubs	1
10	60289A	Mount, Transaxle	2
11	87031A	Washer, flat 3/8 SS	4
12	170883	Washer, 3/8 Lock	4
13	80103A	Screw, 3/8-24 x 1 Hex SS	4
14	57423A	Ring, Snap Retainer	2
15	87616A	Washer, Nylon	2
16	980205	Washer, 5/16 Fender	2
17	962620	Screw, 5/16-24 x ¾	2
18	87026A	Washer, Flat, ¼ SS	8
19	81104A	Nut, ¼-20 ESNA SS	9
21	77267A	Label, Tie Down	4
22	980614	Washer, ¼ Starlock	5
23	81108A	Nut, 3/8-24 ESNA	4
24	81105A	Nut, 3/8-16 ESNA	Ref
25	87031A	Washer, Flat 3/8 SS	Ref
26	Ref	Solution Tank	Ref
27	980205	Washer, 5/16	Ref
28	85734A	Screw, 3/8-16 x 2	Ref
29	69639A	Strap, Static	1
30	10135A	Flange, Hub Kit	1

**NOTE: 10135A (Flange, Hub Kit) contains 1 flange (hub), 2 snap rings, and 2 retaining keys.*

Clarke®
BOOST™ 28
 Brush Head Assembly Parts List 3/06

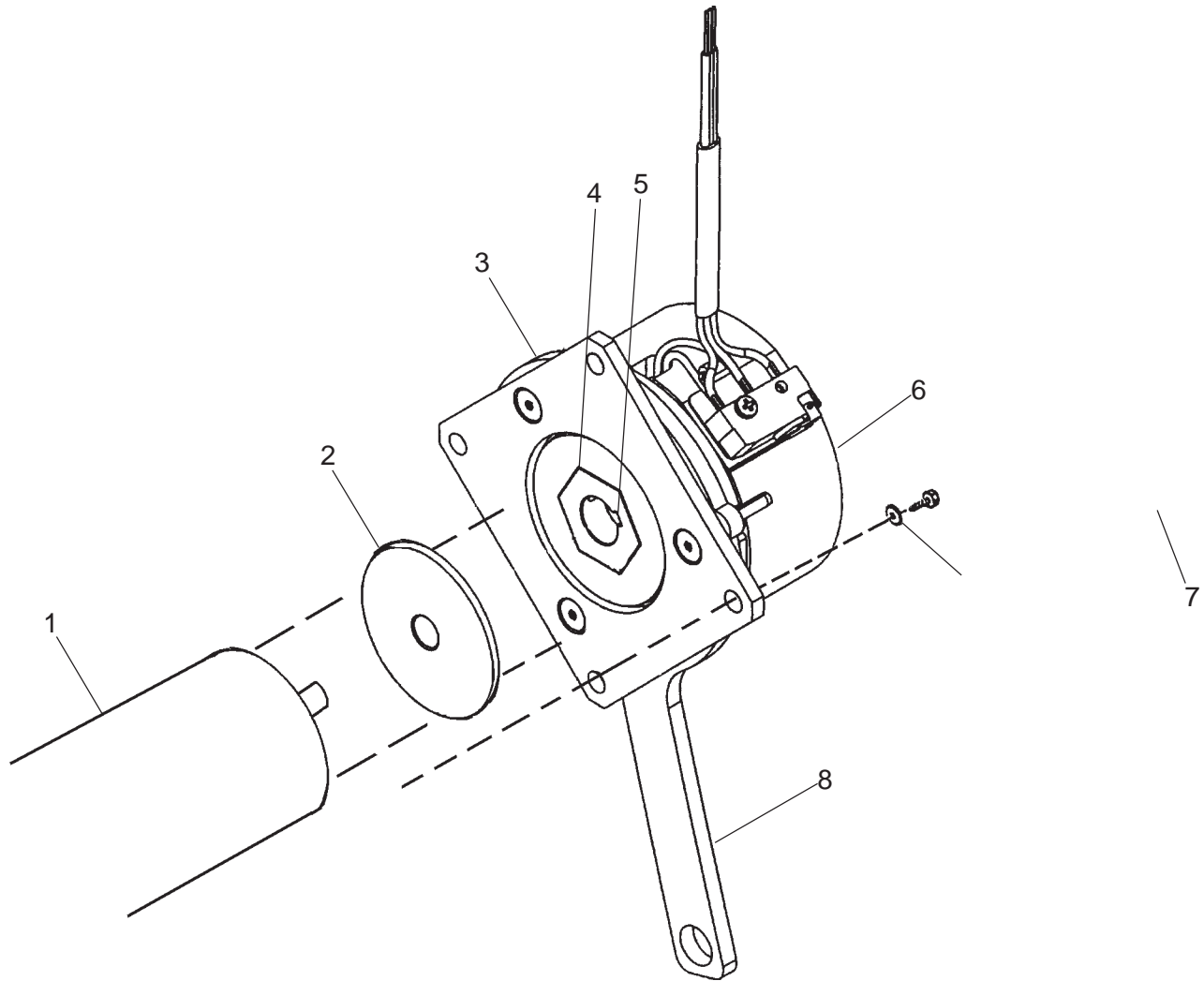


Brush Head Assembly Parts List 3/06

Ref. #	Part No.	Description	Qty
1	766780	Pin, Hair	5
2	782002	Clamp, Manifold	3
3	915082	Key, 3/16 SQ. x 3/4"	1
4	920278	Nut, Jam ½-20	4
5	925589	Pin, Roll	1
6	962098	Screw, ¼-20 x 3/4"	1
7◆	80317A	Washer, Bowed	2
8	980614	Washer, ¼" Starlock, External	8
9	980626	Washer, ½ Lock	2
10	980646	Washer, ¼" flat	2
11	980657	Washer, Lock ¼	1
12	11003A	Tube Assembly, Drip 28"	1
13	30048A	Wheel, Guide	2
14	30206A	Bumper	1
15	30663A	Flexible Pad Driver - Central	1
16	30670A	Spacer, Nylon	2
17	30671A	Spacer, Nylon	2
18	30674A	Flexible Pad Driver - Extensions	2
19	38723A	Spacer, 1.00 x .632 x .185	2
20	40790A	Motor, 24V	1
NI	11055A	Kit, Motor Brush Replacement	1
21	50736A	Bearing	1
22	53847A	Actuator	1
23	11063A	Rubber Isolator Kit	1
24	59789A	Valve, Solution	1
25	61425A	Retainer, Bumper	1
26	61724A	Retainer, Eccentric	1
27	61729A	Plate, Upper 28	1
28	61731A	Arm, Lift, Left	1
29	61732A	Arm, Lift, Right	1
30	61733A	Bracker, Lift	2
31	61750A	Rod Lift	1
32	61753A	Eccentric	1
33	61775A	Retainer, Bearing	1
34	61782A	Sleeve, Guide Wheel	2
35	80296A	Screw #10-24 x 7/16 Type 23	5
36	80298A	Screw, ¼-20 x 2.00 Hex Cap	2
37	81217A	Nut, ¼" x .218 ESNA	9
38	81220A	Nut, Serrated Flange	12
39	82501A	Pin, Clevis	1
40	84236A	Screw, 10-32 x .50 FH	4
41	84237A	Screw, 10-32 x .50 P.H.	3
42	85301A	Screw, ¼-20 x 1-¼ C.R.P.H.	2
43	85395A	Screw, ¼-20 x ½" P.H.	5
44	85737A	Screw, ¼-20 x ½ H.H.C.S.	1
45	85838A	Screw, ½-20 Hex	2
46	87607A	Washer, Flat	4
47	61813A	Guard, Front	1
48	962139	Screw, 1/4-20 x .625 Hex Cap	4
49	997001	Pad, Red	1
50◆	30708A	Endcap w/Screw Kit (2 each)	1
51	722030	Clamp, Hose	4
52	30707A	Hose	1
53	40645A	Housing	2
54	41601A	Connectors	2
55	60236B	Bracket, Brush Head	1
56	11062A	Rubber Mounting Kit	1

NOTE: ◆ indicates a change has been made since the last publication of this manual.

Clarke®
BOOST™ 28
 Optional Brake Drawing and Parts List 9/05
 Drawing # 10072A

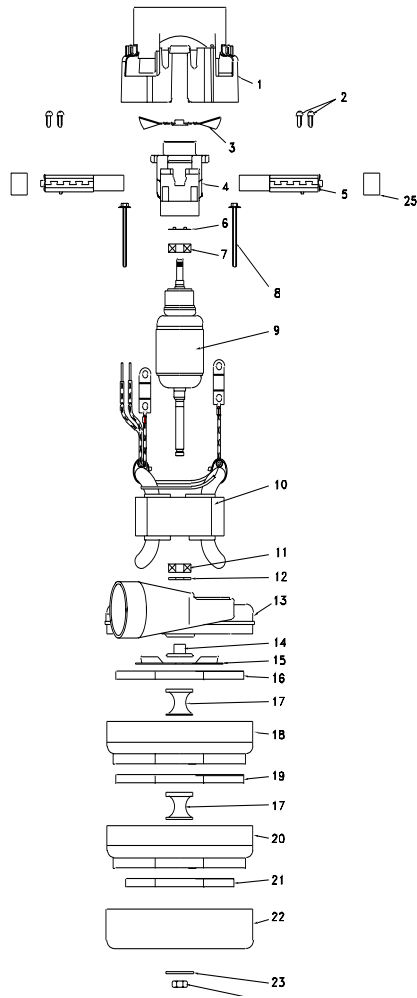


Ref #	Part No.	Description	Qty
1	50981A		
2	60388A	Spacer	1
3	30095A	Tie, Cover Retainer	1
4	80123A	Nut, Brake Drive	1
5	80125A	Key, 3/32 Sq. x 1/4 Lg.	1
6	30094A	Cover, Vinyl	1
7	80124A	Screw Set (Brake Nut to Motor Shaft)	2
8	10160A	Brake, Asm. 24V	1

NOTE: Only use spacer (ref. #2) on transaxles that have a circular step and mounting nuts protruding from end of motor. The motor that uses the spacer can be identified by the motor brush caps protruding past the outside diameter of the motor.

Clarke®
BOOST™ 28

Vacuum Motor Drawing and Parts List 9/05



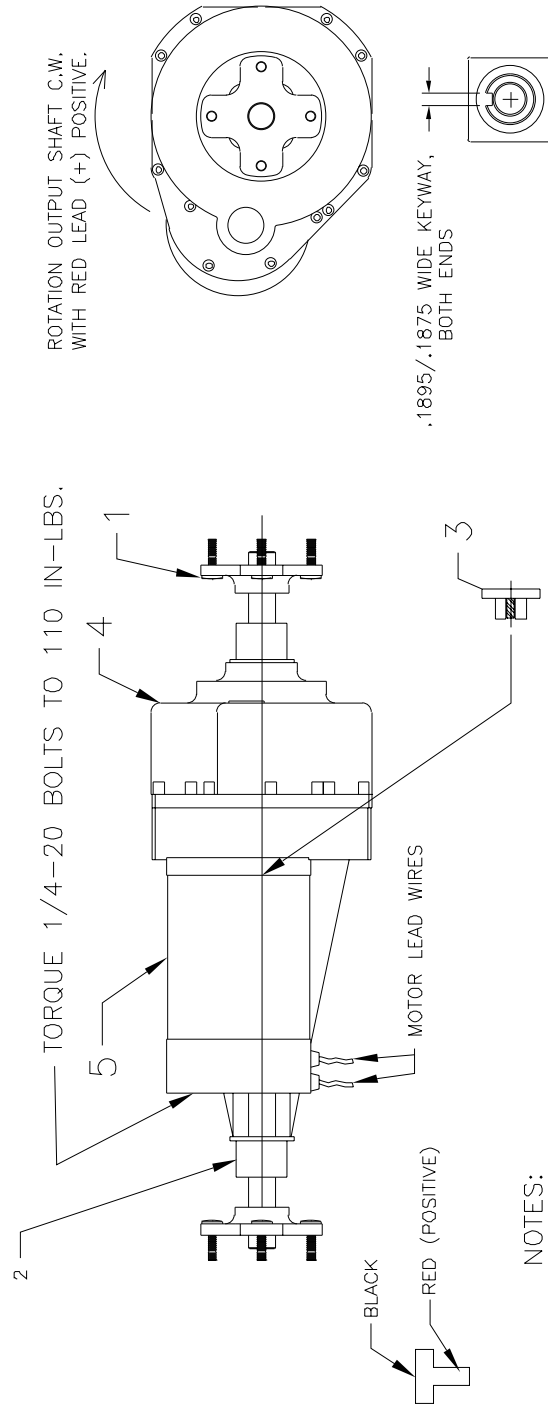
PARTS LIST

DESCRIPTION	REQUIRED	CLARKE 51049A	CLARKE 51050A
1. HOUSING	1	50994A	50994A
2. SCREW	4	*	*
3. FAN	1	50995A	50995A
4. COMM END BRACKET	1	*	*
5. BRUSH MECHANISM	2	50996A	50996A
6. LOAD SPRING	1	*	*
7. BALL BEARING	1	*	*
8. SCREW	2	*	*
9. ARMATURE	1	*	*
10. FIELD	1	*	*
11. BALL BEARING	1	*	*
12. NEOPRENE WASHER	1	59803A	59803A
13. FAN END BRACKET	1	*	*
14. SPACER	1	*	*
15. FAN	1	50997A	50997A
16. ROTATING FAN	1	53914A	
17. SPACER	2	50999A	
18. STATIONARY FAN	1		50999A
19. ROTATING FAN	1	51043A	51043A
20. STATIONARY FAN	1	51044A	51044A
21. ROTATING FAN	1	51045A	NA
22. FAN SHELL	1	50998A	NA
23. WASHER	1	51046A	51047A
24. NUT	1	*	*
25. INSULATOR BRUSH CAP	2	51048A	51048A

1. THIS INFORMATION IS FOR PART IDENTITY ONLY, IT IS NOT TO BE USED AS DISASSEMBLY OR ASSEMBLY INSTRUCTIONS.
2. REPLACEMENT OF ARMATURE OR FIELD REQUIRES THE REPLACEMENT OF BRUSH MECHANISMS.

Clarke®
BOOST™ 28
Transaxle Drawing 9/05

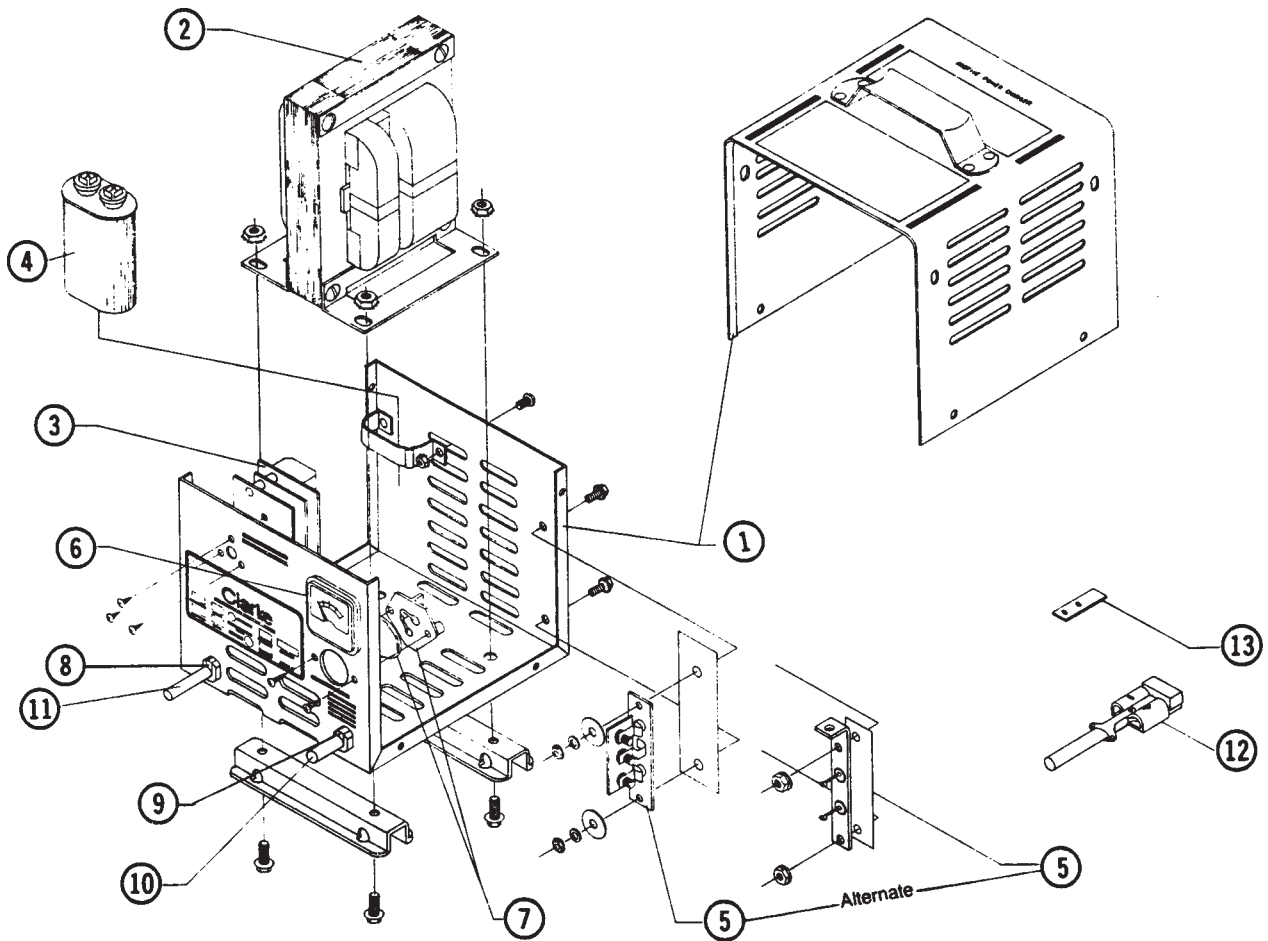
REF. NO.	PART NO.	DESCRIPTION	QTY.
1	10135A	FLANGE, WHEEL KIT	2
2	51056A	SLEEVE, ELASTOMERIC	2
3	50833A	COUPLING, MOTOR DRIVE	1
4	50982A	TRANSAXLE, W/O MOTOR	1
5	50981A	MOTOR	1
PARTS LIST			



- NOTES:**
1. BALL AND NEEDLE BEARING CONSTRUCTION.
 2. GEARBOX GREASE LUBRICATED AND LEAKPROOF.
 3. AXLES TO BE RUST PROTECTED WITH PLATING
 4. GEAR RATIO: 18:1
 5. TRANSAXLE ASSEMBLY SUPPLIED WITH RUBBER MOUNT BUSHINGS INSTALLED.
 6. MOTOR ASSEMBLY IS FIELD REPLACEABLE.
 7. MOTOR FRAME ZINC PLATED.
 8. WHEEL FLANGES & STUDS TO BE ZINC PLATED.
 9. ELECTRICAL CONNECTORS - USE PACKARD HOUSING # 2984883 AND PACKARD TERMINAL # 2971859

Clarke®
BOOST™ 28

Battery Charger Drawing and Parts List 9/05



WARNING: All electrical repairs must be performed by qualified personnel only.

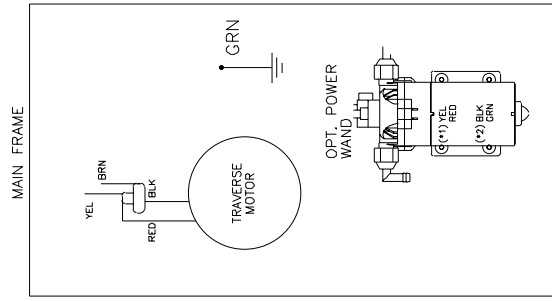
Charger #40512A: 24 volt, 25 amp D.C., 115 volt, A.C., 60 Hz.

Charger #40513A: 24 volt, 25 amp D.C., 230 volt, A.C., 50 Hz

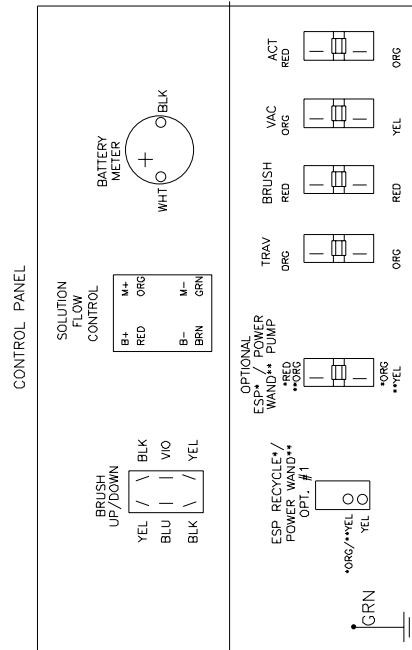
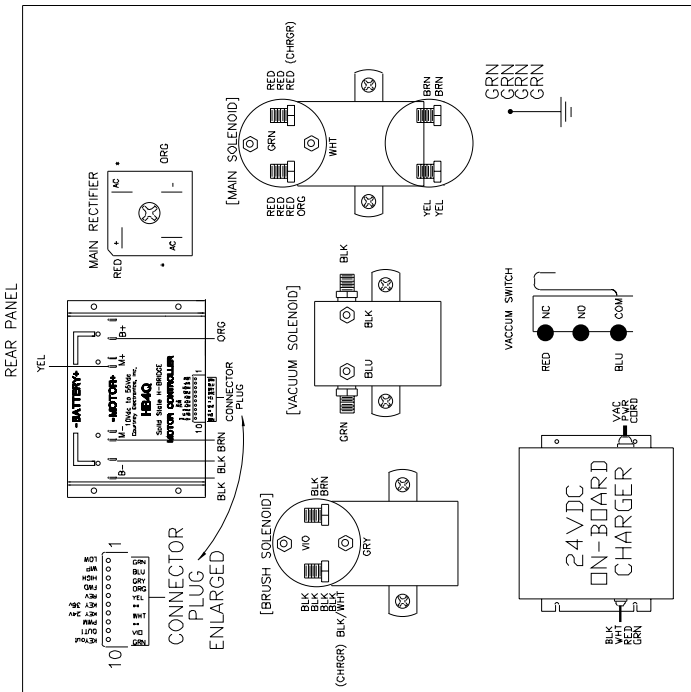
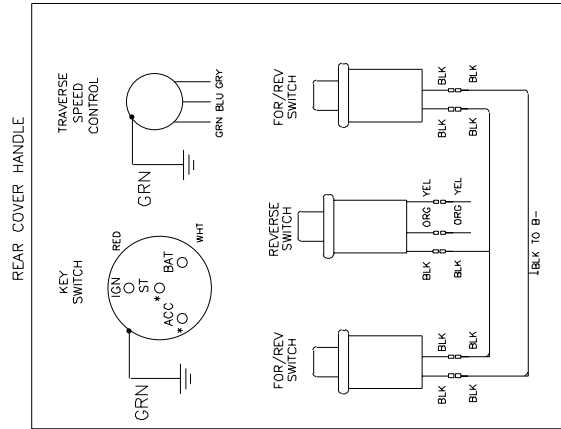
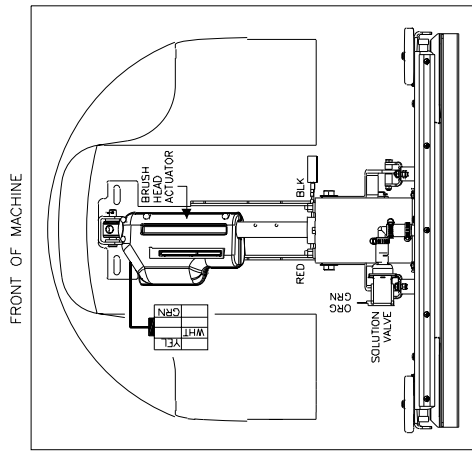
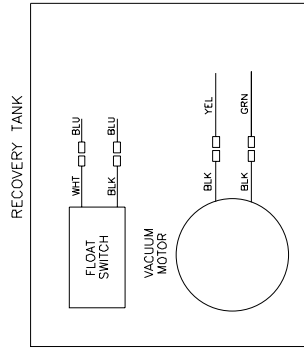
Ref. No.	Description	Charger 40512A	Charger 40513A
1	Charger Case	41129A	41128A
2	Transformer	48413A	48409A
3	Electronic Controller Kit	47500A	48200A
4	Capacitor, 660 V.A.C.	912132	912132
5	Heat Sink Assembly	912212	912212
6	Ammeter	40200A	40200A
7	Fuse Holder	912382	912382
8	Strain Relief, A.C. Cord	837525	837525
9	Strain Relief, D.C. Cord	747553	747553
10	D.C. Cord Assembly	51986A	51986A
11	A.C. Cord Assembly	51974A	908947
12	Housing, Red	911470	911470
13	D.C. Plug Lock Key	795020	795020

* NOTE: Parts not available at this time.

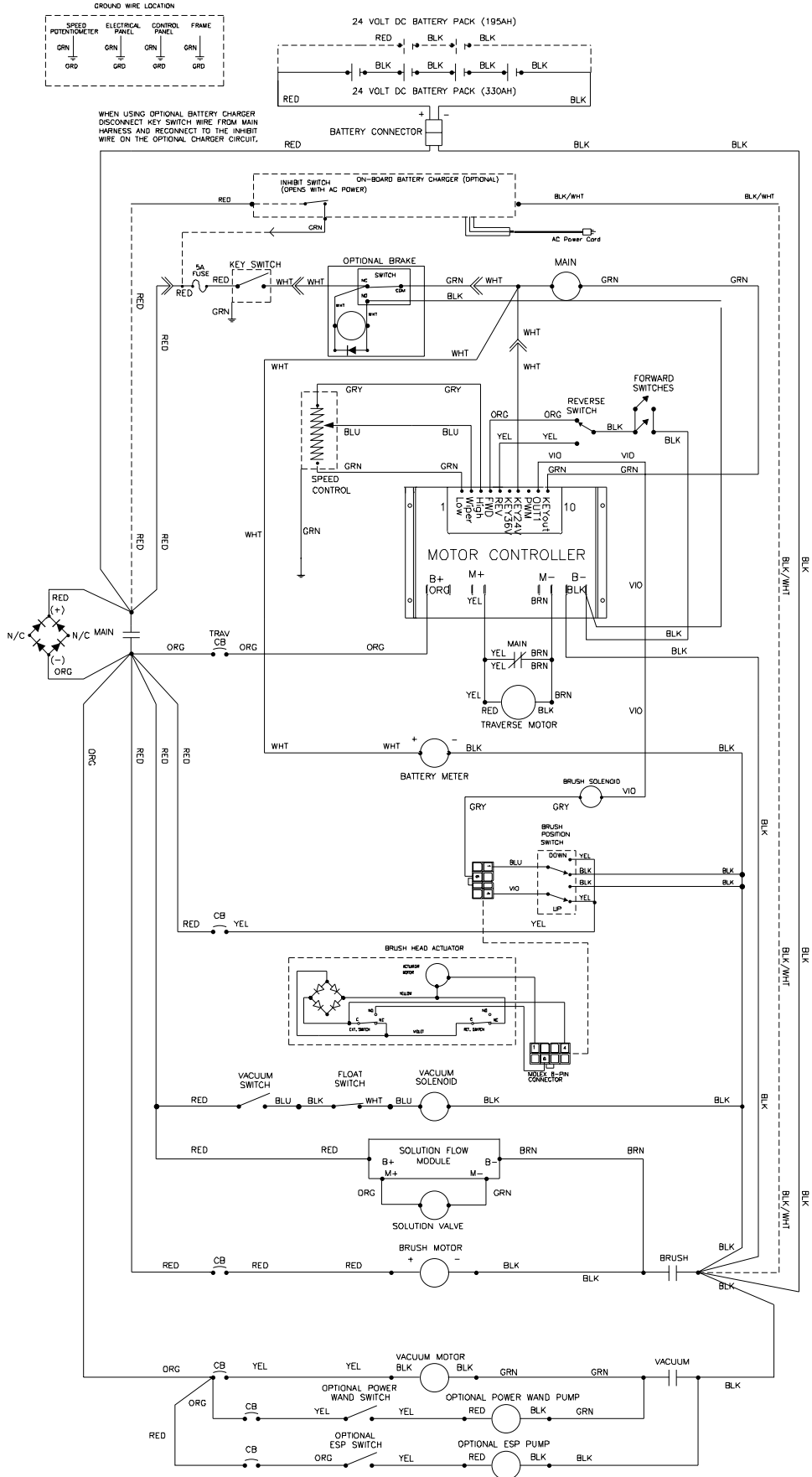
Clarke® BOOST™ 28 Connection Diagram 9/05



* = NOT CONNECTED
OPT.#1= POWWERWAND OPTION



Clarke® BOOST™ 28 Electrical Schematic 9/05



CLARKE PRODUCT SUPPORT BRANCHES

U. S. A. Locations

PRODUCTION FACILITIES

Clarke®, Springdale, Arkansas
2100 Highway 265
Springdale, Arkansas 72764
(479) 750-1000
Customer Service - 1-800-253-0367
Technical Service - 1-800-356-7274

American Lincoln®, Bowling Green, Ohio 43402
1100 Haskins Road

SERVICE FACILITIES

Clarke®, Elk Grove, Illinois 60007
2280 Elmhurst Road
(847) 956-7900

Clarke®, Denver, Colorado 80204
1955 West 13th Ave.
(303) 623-4367

Clarke®, Houston, Texas 77040
7215 North Gessner Road
713-937-7717

SERVICE AND SALES FACILITY

American Lincoln® / Clarke, Madison Heights,
Michigan 48071-0158
29815 John R.
(810) 544-6300

American Lincoln® / Clarke, Marietta, Georgia 30066
1455 Canton Road
(770) 973-5225

Clarke®

Clarke American Sanders

A.L. Cook

Customer Service Headquarters and Factory
2100 Highway 265
Springdale, Arkansas 72764
(479) 750-1000

Technical Service
1-800-356-7274

European Locations

PRODUCTION FACILITIES

ALTO Danmark A/S, Aalborg
Blytaekkervej 2
DK-9000 Aalborg
+45 72 18 21 00

ALTO Danmark A/S, Hadsund
Industrivareret
DK-9560 Hadsund
+45 72 18 21 00

SALES SUBSIDIARIES

ALTO US - Canada, Ontario (Canada)
4080 B Sladeview Crescent Unit 1
Mississauga, Ontario L5L 5Y5
(905) 569 0266

ALTO Overseas Inc., Sydney (Australia)
1B/8 Resolution Drive
Caringbah NSW 2229
+61 2 9524 6122

ALTO Cleaning Systems Asia Pte Ltd., Singapore
No. 17 Link Road
Singapore 619034
+65 268 1006

ALTO Deutschland GmbH, Bellenberg (Germany)
Guido-Oberdorfer-Straße 2-8
89287 Bellenberg
+49 0180 5 37 37 37

ALTO Cleaning Systems (UK) Ltd., Penrith
Gilwilly Industrial Estate
Penrith
Cumbria CA11 9BN
+44 1768 868 995

ALTO France S.A. Strasbourg
B.P. 44, 4 Place d'Ostwald
F-67036 Strasbourg
Cedex 2
+33 3 8828 8400

ALTO Nederland B.V.
Postbus 65
3370 AB Hardinxveld-Giessendam
The Netherlands
+31 184 677 200

ALTO Sverige AB, Molndal (Sweden)
Aminogatan 18
Box 4029
S-431 04 Molndal
+46 31 706 73 00

ALTO Norge A/S, Oslo (Norway)
Bjornerudveien 24
N-1266
+47 2275 1770

Clarke® LIMITED U.S. WARRANTY

This Clarke Industrial/Commercial Product is warranted to be free from defects in materials and workmanship under normal use and service, when operated and maintained in accordance with Clarke's Maintenance and Operations instructions. The warranty period is subject to the conditions stated below.

3 YEARS FOR PARTS AND 1 YEAR FOR SERVICE LABOR (See exceptions below)

Motors must be inspected for carbon motor brush wear at six-month intervals by an authorized Clarke repair station. Failure to comply with the six-month inspection requirement or failure to replace worn motor brushes identified during the inspection will void the warranty on the motors. Cost of the six-month inspection and replacement of carbon motor brushes is the responsibility of the purchaser. In the event of a warranty claim on the motors, proof of inspection and any required motor brush replacement must be provided. This warranty is extended only to the original purchaser for use of the product. It does not cover normal wear parts such as electrical cable, rubber parts, hoses and motor brushes.

BATTERY WARRANTY

In addition to the items above, any original equipment Clarke Battery which becomes unserviceable under normal use within a period of ninety (90) days from date of sale to the original user will be repaired or replaced with one of equal specification at our option, F.O.B. any authorized Clarke Sales or Service Branch, with no charge to the user, except transportation costs. After expiration of the above ninety (90) day period, any battery which fails under normal use will be adjusted to the original user with a new battery of equal specification on an eighteen (18) months pro rate basis from the date of purchase. Adjustment will be determined using the then current list price, plus transportation costs.

Warranty is rendered null and void if battery is not kept filled to the proper level with DISTILLED WATER.

CLARKE: POLYDUR® AUTOMATIC SCRUBBER SOLUTION AND RECOVERY TANK EIGHT-YEAR U.S. GUARANTEE

Your new Clarke machine has polydur Solution and Recovery Tanks. Polydur is a rotationally molded, low-density linear polyethylene that won't crack or dent, and withstands most corrosives and temperature extremes. Clarke backs up your Polydur tanks with an eight-year guarantee. If a tank breaks or leaks under normal use within eight years of the date of purchase, it will be replaced free.

CLARKE UNIBODY FRAME EIGHT-YEAR U.S. WARRANTY

Clarke warrants the frame of this machine for a period of eight years against defects in materials and workmanship under normal use and service.

STATED WARRANTIES ARE IN LIEU OF ALL OTHER WARRANTIES, EXPRESSED OR IMPLIED

Clarke's liability under this warranty is limited to repair of the product and/or replacement of parts and is given to purchaser in lieu of all other remedies, including INCIDENTAL AND CONSEQUENTIAL DAMAGES.

THERE ARE NO EXPRESS WARRANTIES OTHER THAN THOSE SPECIFIED HEREIN. THERE ARE NO WARRANTIES WHICH EXTEND BEYOND THE DESCRIPTION OF THE FACE HEREOF. NO WARRANTIES, INCLUDING BUT NOT LIMITED TO WARRANTY OF MERCHANTABILITY, SHALL BE IMPLIED. A warranty registration card is provided with your Clarke product. Return the card to assist Clarke in providing the performance you expect from your new floor machine.

If a difficulty develops with the product, you should: a) Contact the nearest authorized Clarke repair location or contact the Clarke Service Operations Department, 2100 Highway 265, Springdale, Arkansas 72764, for the nearest authorized Clarke repair location. Only these locations are authorized to make repairs to the product under this warranty. (b) Return the product to the nearest Clarke repair location. Transportation charges to and from the repair location must be prepaid by the purchaser. Clarke will repair the product and/or replace any defective parts with out charge within a reasonable time after receipt of the product. Clarke, 2100 Highway 265, Springdale, Arkansas 72764.

Clarke reserves the right to make changes or improvements to its machine without notice.

Always use genuine Clarke Parts for repair.

Clarke®

**2100 Highway 265
Springdale, Arkansas, 72764**